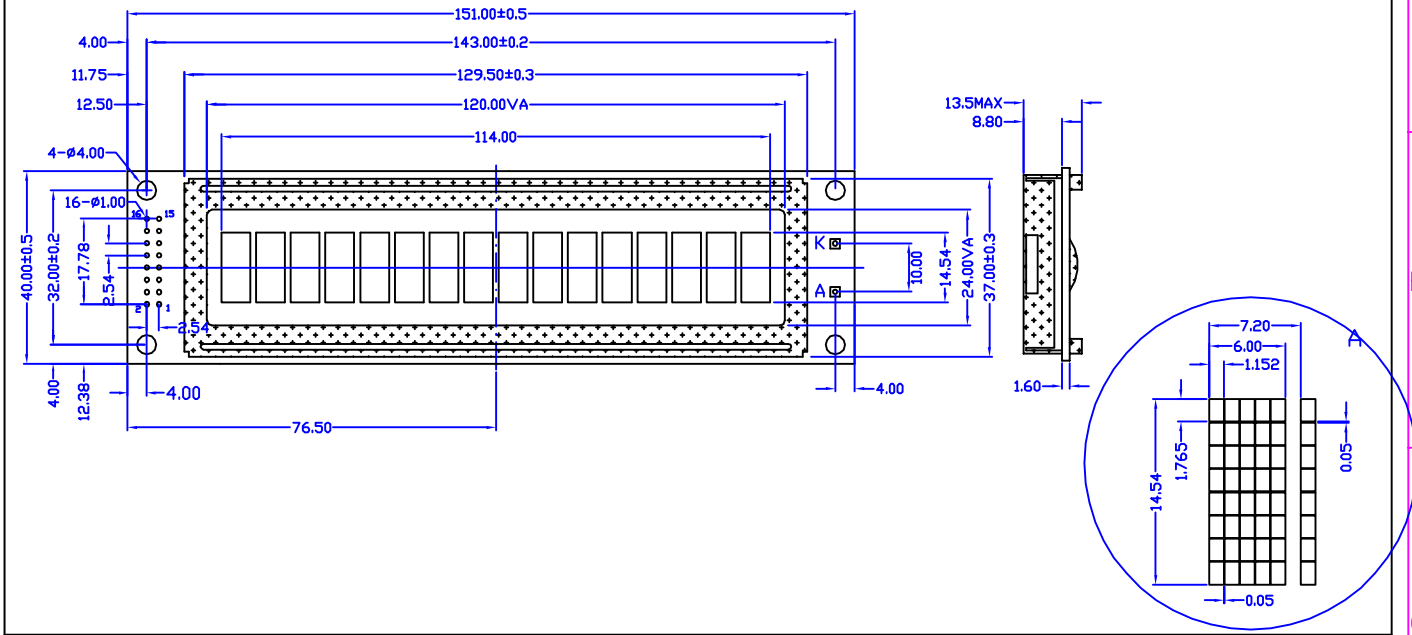


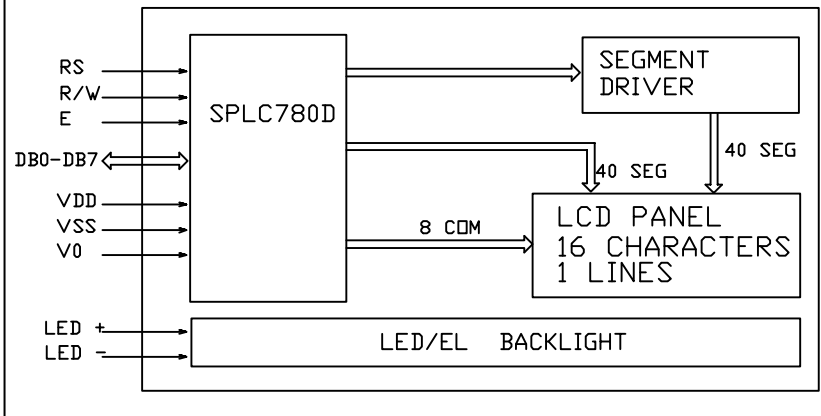
CUSTOMER'S APPROVED:

DATE:

| REVISIONS |          |      |             |
|-----------|----------|------|-------------|
| NO.       | DATE     | BY   | DESCRIPTION |
| 1         | 06/06/18 | Qing | NEW RELEASE |



### Block Diagram



### Feature

- BUILT IN CONTROLLER: SPLC780D
- POWER SUPPLY: 5.0V
- LCD TYPE: BLUE STN, TRANSMISSIVE
- BACKLIGHT: LED SIDE BACKLIGHT
- COLOUR OF BACKLIGHT: WHITE
- 5X8 DOTS WITH CURSOR
- VIEWING ANGLE: 6 O'CLOCK
- TEMPERATURE RANGE: EXTENDED (-20--70)
- LOW CONSUMPTION, LOW VOLTAGE, HIGH CONTRAST

### Mechanical Data

| ITEM         | SPECIFICATION           | UNIT |
|--------------|-------------------------|------|
| OVERALL SIZE | 151.0W x 40.0H x 13.5T  | MM   |
| VIEWING AREA | 120.0W x 24.0H          | MM   |
| DOT NUMBER   | 16 CHARACTERS X 1 LINES | DOTS |
| DOT SIZE     | 6.00W x 14.54H          | MM   |
| DOT PITCH    | 7.20W x 14.54H          | MM   |

### Pin Assignment

| NO.   | SYSBOL   | DESCRIPTION                    |
|-------|----------|--------------------------------|
| 1     | VSS      | GROUND                         |
| 2     | VDD      | POWER SUPPLY FOR LOGIC AND LCD |
| 3     | V0       | OPERATING VOLTAGE FOR LCD      |
| 4     | RS       | DATA/INSTRUCTION SELECT        |
| 5     | R/W      | READ/WRITE CONTROL             |
| 6     | E        | ENABLE SIGNAL                  |
| 7--14 | DB0--DB7 | DATA BUS                       |
| 15    | A        | LED BACKLIGHT POWER SUPPLY(+)  |
| 16    | K        | LED BACKLIGHT POWER SUPPLY(-)  |
|       |          |                                |
|       |          |                                |
|       |          |                                |
|       |          |                                |

### Absolute Maximum Rating

| ITEM                   | SYMBOL  | MIN | MAX  | UNIT |
|------------------------|---------|-----|------|------|
| POWER SUPPLY(LOGIC)    | VDD-VSS | 0   | 6.5  | V    |
| POWER SUPPLY(LCD DRV.) | VDD-V0  | 0   | 18.0 | V    |
| INPUT VOLTAGE          | Vi      | Vi  | VDD  | V    |

### Electrical Characteristics

| ITEM                  | SYMBOL  | MIN  | TYP    | MAX    | UNIT |
|-----------------------|---------|------|--------|--------|------|
| VOLTAGE FOR LOGIC     | VDD-VSS | 4.75 | 5.0    | 5.25   | V    |
| SUPPLY CURRENT        | IDD     | -    | 1.0    | 2.2    | mA   |
| LCD OPERATING VOLTAGE | VDD-V0  | 0C   | -      | 5.0    | V    |
|                       |         | 25C  | -      | 4.7    | V    |
|                       |         | 40C  | -      | 4.4    | V    |
| INPUT VOLTAGE         | H       | ViH  | 0.7VDD | VDD    | V    |
|                       | L       | ViL  | 0      | 0.3VDD | V    |

|                            |                           |         |            |
|----------------------------|---------------------------|---------|------------|
| DESCRIPTION: C/D           | Distar Technology Limited |         |            |
| GENERAL TOL: ±0.2          | www.distarltd.com         | Drw     | WXR        |
| DO NOT SCALE THIS DRAWING. |                           | Unit:mm | Chk<br>Apv |

DS-C1601C-BTSSWE-NAA