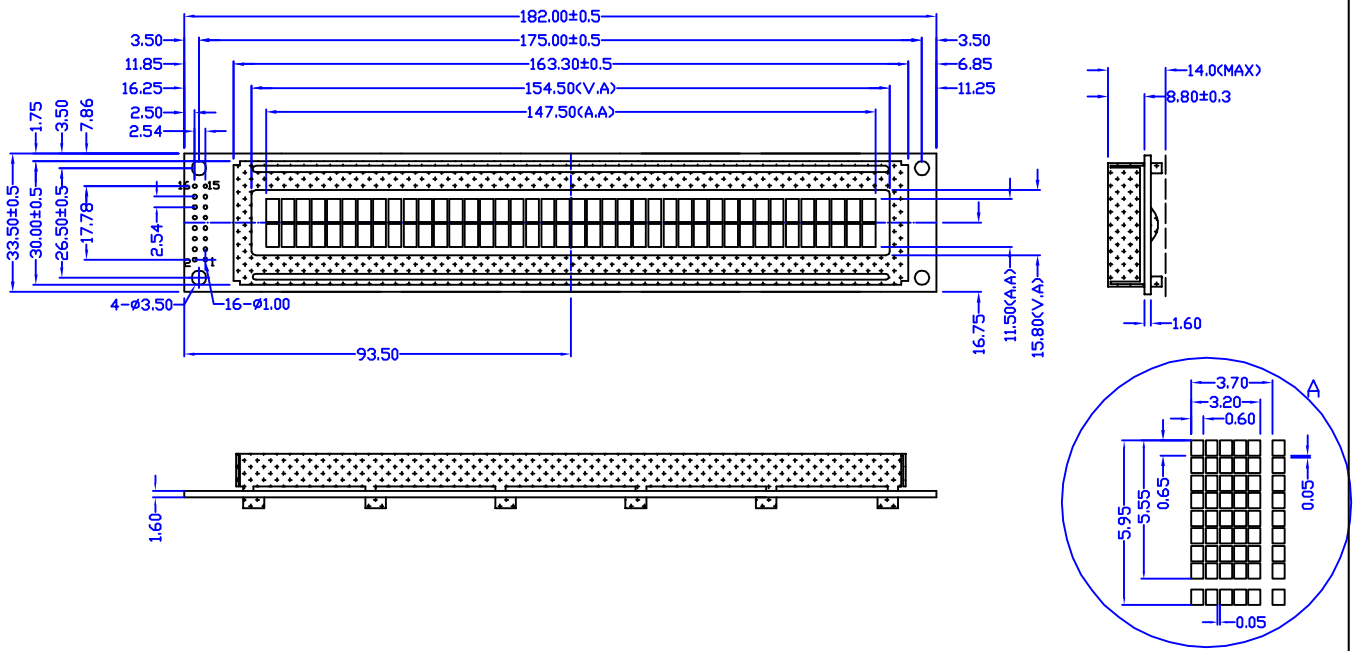


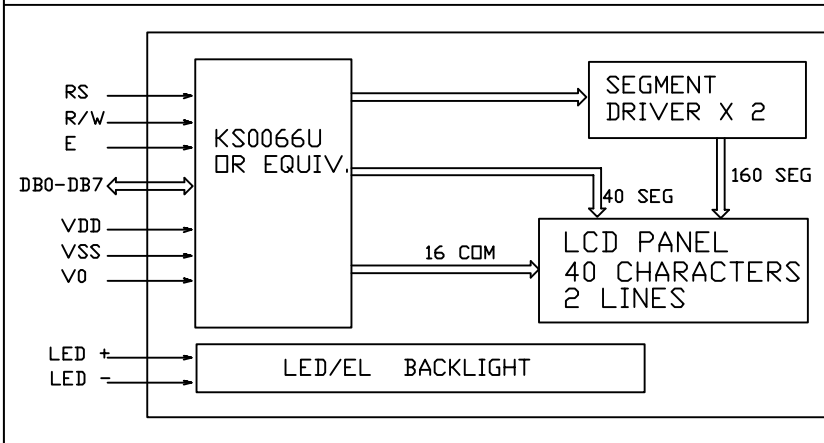
CUSTOMER'S APPROVED:

DATE:

REVISIONS			
NO.	DATE	BY	DESCRIPTION
1	06/06/18	Ring	NEW RELEASE



Block Diagram



Feature

- BUILT IN CONTROLLER: SPLC780D
- POWER SUPPLY: 5.0V
- LCD TYPE: BLUE STN, TRANSMISSIVE
- BACKLIGHT: LED SIDE BACKLIGHT
- COLOUR OF BACKLIGHT: WHITE
- 5X8 DOTS WITH CURSOR
- VIEWING ANGLE: 6 O'CLOCK
- TEMPERATURE RANGE: EXTENDED(-20--70)
- LOW CONSUMPTION, LOW VOLTAGE, HIGH CONTRAST

Mechanical Data

ITEM	SPECIFICATION	UNIT
OVERALL SIZE	182.0W x 33.5H x 14.0T	MM
VIEWING AREA	154.5W x 15.8H	MM
DOT NUMBER	40 CHARACTERS X 2 LINES	DOTS
DOT SIZE	3.20W x 5.55H	MM
DOT PITCH	3.70W x 5.95H	MM

Pin Assignment

NO.	SYMBOL	DESCRIPTION
1	VSS	GROUND
2	VDD	POWER SUPPLY FOR LOGIC AND LCD
3	V0	OPERATING VOLTAGE FOR LCD
4	RS	DATA/INSTRUCTION SELECT
5	R/W	READ/WRITE CONTROL
6	E	ENABLE SIGNAL
7--14	DB0--DB7	DATA BUS
15	A	LED BACKLIGHT POWER SUPPLY(+)(+4.2V)
16	K	LED BACKLIGHT POWER SUPPLY(-)(-X0V)

Absolute Maximum Rating

ITEM	SYMBOL	MIN	MAX	UNIT
POWER SUPPLY(LOGIC)	VDD-VSS	0	6.5	V
POWER SUPPLY(LCD DRV.)	VDD-V0	0	18.0	V
INPUT VOLTAGE	VI	VI	VDD	V

Electrical Characteristics

ITEM	SYMBOL	MIN	TYP	MAX	UNIT
VOLTAGE FOR LOGIC	VDD-VSS	4.75	5.0	5.25	V
SUPPLY CURRENT	IDD	-	1.0	2.2	mA
LCD OPERATING VOLTAGE	0C	-	5.0	-	V
	25C	-	4.7	-	V
	40C	-	4.4	-	V
INPUT VOLTAGE	H	0.7VDD	-	VDD	V
	L	0	-	0.3VDD	V

DESCRIPTION: C/D	Distar Technology Limited		
GENERAL TOL: ±0.2	www.distarltd.com	Drw	VXR
DO NOT SCALE THIS DRAWING.	Unit:mm	Chk	Apv

DS-C4002A-BTSSWE-NAA