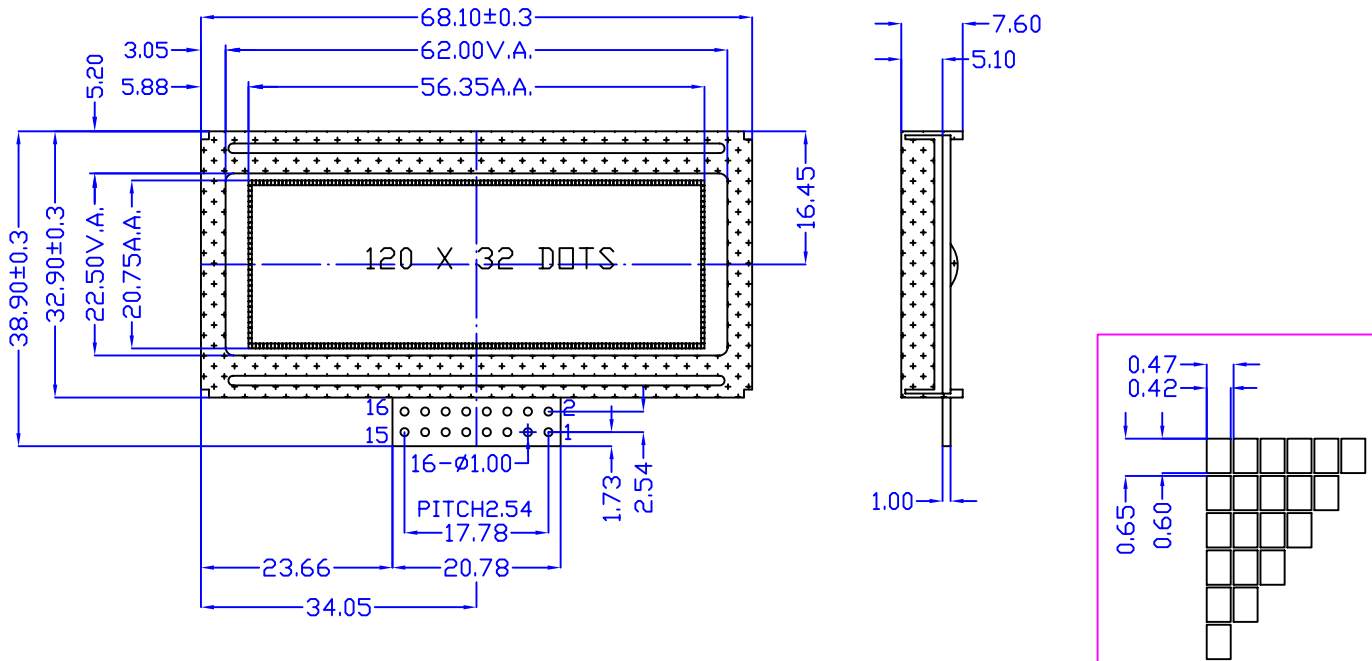
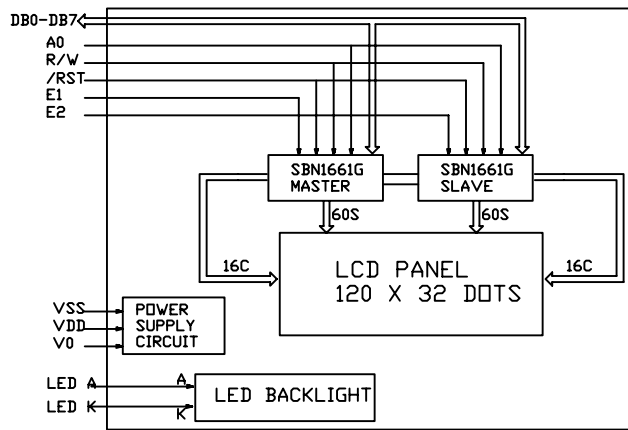


Outline Dimension

REVISIONS			
NO.	DATE	BY	DESCRIPTION
1	07/05/24	ZOLEN	NEW RELEASE



Block Diagram



Feature

1. BUILT IN CONTROLLER: SBN1661G OR EQUIVALENT
2. POWER SUPPLY: 5.0V AND 3.0V AVAILABLE
3. LCD TYPE: Y/G STN
4. BACKLIGHT: SIDE LED BACKLIGHT
5. COLOUR OF BACKLIGHT: Y/G
6. 1/32 DUTY CYCLE, 1/7 BIAS
7. VIEWING ANGLE: 6 O'CLOCK
8. TEMPERATURE RANGE: EXTENDED (-20--70)
9. LOW CONSUMPTION, LOW VOLTAGE, HIGH CONTRAST

Mechanical Data

ITEM	SPECIFICATION	UNIT
OVERALL SIZE	68.1W x 38.9H x 7.6T	MM
VIEWING AREA	62.0W x 22.5H	MM
DOT NUMBER	120 x 32	DOTS
DOT SIZE	0.42W x 0.60H	MM
DOT PITCH	0.47W x 0.65H	MM

Pin Assignment

NO.	SYMBOL	DESCRIPTION
1	VSS	GROUND
2	VDD	POWER SUPPLY FOR LOGIC AND LCD
3	VR	OPERATING VOLTAGE FOR LCD
4	A0	DATA/INSTRUCTION SELECT
5	R/W	READ/WRITE SELECT
6	E1	READ/WRITE ENABLE SIGNAL(MASTER)
7	E2	READ/WRITE ENABLE SIGNAL(SLAVE)
8	/RST	RESET SIGNAL(LOW EFFECTIVE)
9--16	DB0--DB7	DATA BUS
	A	LED BACKLIGHT POWER SUPPLY(+)
	K	LED BACKLIGHT POWER SUPPLY(-)

Absolute Maximum Rating

ITEM	SYMBOL	MIN	MAX	UNIT
POWER SUPPLY(LOGIC)	VDD-VSS	0	6.5	V
POWER SUPPLY(LCD DRV.)	VDD-V0	0	18.0	V
INPUT VOLTAGE	VI	VI	VDD	V

Electrical Characteristics

ITEM	SYMBOL	MIN	TYP	MAX	UNIT
VOLTAGE FOR LOGIC	VDD-VSS	4.75	5.0	5.25	V
SUPPLY CURRENT	IDD	-	300.0	-	uA
LCD OPERATING VOLTAGE	0C	-	7.1	-	V
	25C	-	6.8	-	V
	40C	-	6.4	-	V
INPUT VOLTAGE	H	0.7VDD	-	VDD	V
	L	0	-	0.3VDD	V

ALL DIMENSIONS ARE IN MM. TOLERANCE IS +/-0.2 UNLESS OTHERWISE NOTED.

DS-G12032A

120 X 32 DOTS GRAPHIC LCM

EXPERT IN LCD

