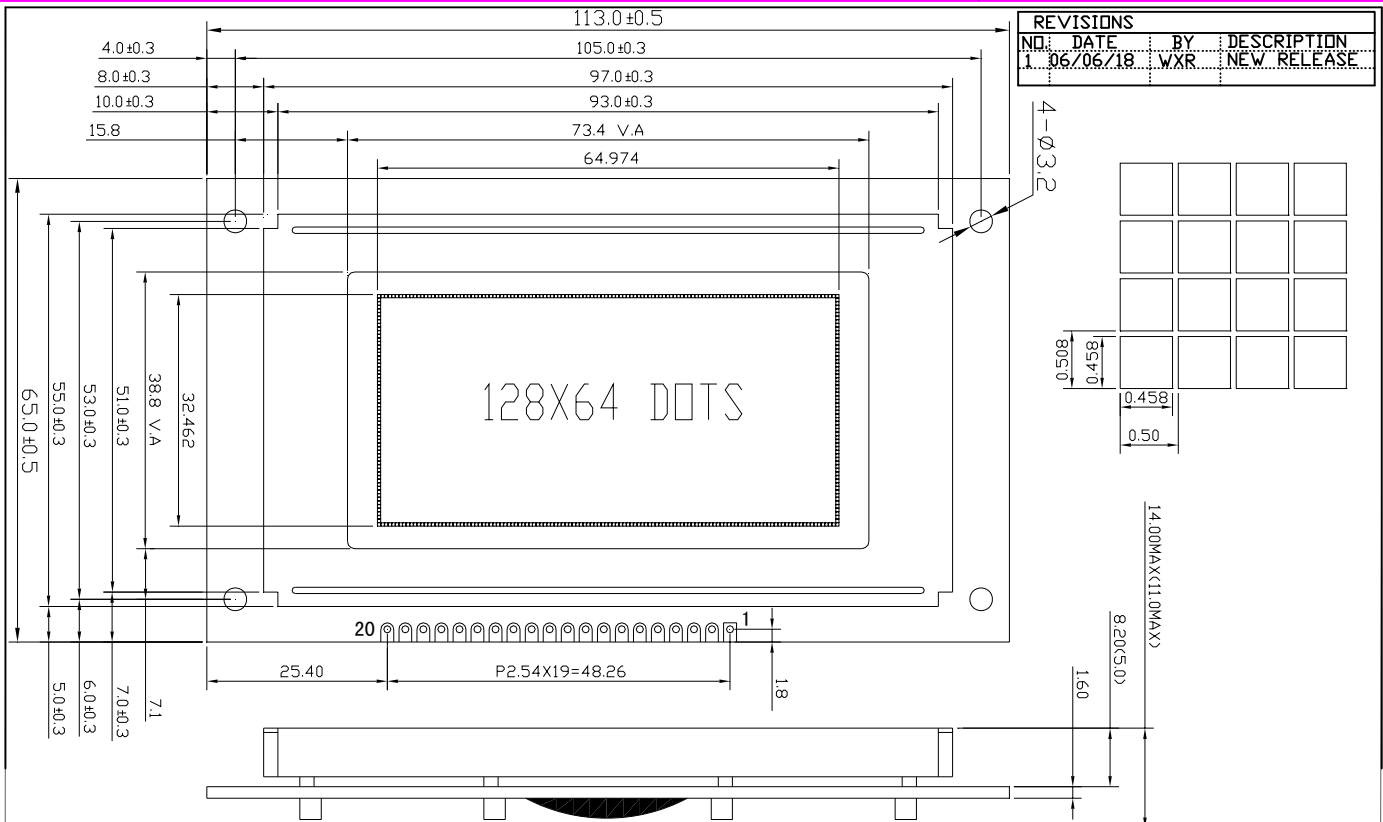
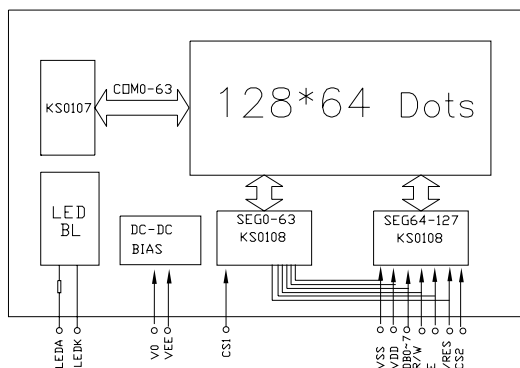


CUSTOMER'S APPROVED:

DATE:



Block Diagram



Feature

1. BUILT IN CONTROLLER: AIP31108
2. POWER SUPPLY: 5.0V
3. LCD TYPE: BLUE STN, TRANSFLECTIVE
4. BACKLIGHT: LED BOTTOM BACKLIGHT
5. COLOUR OF BACKLIGHT: Y-G
6. 1/64 DUTY CYCLE, 1/9 BIAS
7. VIEWING ANGLE: 6 O'CLOCK
8. TEMP: Top: -10--60C; Tst: -20--70C
9. LOW CONSUMPTION, LOW VOLTAGE, HIGH CONTRAST

Mechanical Data

ITEM	SPECIFICATION	UNIT
OVERALL SIZE	113.0W x 65.0H x 14.0T	MM
VIEWING AREA	73.4W x 38.8H	MM
DOT NUMBER	128 x 64	DOTS
DOT SIZE	0.458W x 0.458H	MM
DOT PITCH	0.508W x 0.508H	MM

Pin Assignment

NO.	SYMBOL	DESCRIPTION
1	VSS	GROUND (0V)
2	VDD	POWER SUPPLY FOR LOGIC(5.0V)
3	V0	CONTRAST CONTROL(VDD~VOUT)
4	RS	DATA/INSTRUCTION SELECT
5	R/W	READ/WRITE SELECT
6	E	ENABLE SELECT
7--14	DB0--DB7	DATA BUS
15	CS1	CHIP SELECT OF LEFT PANEL
16	CS2	CHIP SELECT OF RIGHT PANEL
17	/RST	RESET SIGNAL(LOW EFFECTIVE)
18	VEE	POWER OUTPUT (-8.8V OUTPUT)
19	A	LED BACKLIGHT POWER SUPPLY(+5.0V)
20	K	LED BACKLIGHT POWER SUPPLY(0V)

Absolute Maximum Rating

ITEM	SYMBOL	MIN	MAX	UNIT
POWER SUPPLY(LOGIC)	VDD	-0.3	5.5	V
SUPPLY VOLTAGE	VEE	VDD-19	VDD+0.3	V
INPUT VOLTAGE	VI	VI	VDD	V

Electrical Characteristics

ITEM	SYMBOL	MIN	TYP	MAX	UNIT	
VOLTAGE FOR LOGIC	VDD-VSS	4.8	5.0	5.2	V	
SUPPLY CURRENT	IDD	-	10.0	-	mA	
LCD OPERATING VOLTAGE	VDD-V0	0C	-	12.8	-	V
		25C	-	12.5	-	V
		40C	-	12.2	-	V
INPUT VOLTAGE	H	VIH	2.0	-	VDD	V
	L	VIL	0	-	0.8	V

DESCRIPTION: C/D	Distar Technology Limited	
GENERAL TOL: ±0.2	www.distarltd.com	Drw WXR
DO NOT SCALE THIS DRAWING.		Unit:mm
		Chk Apv

DS-G12864I-YFSSYN-YAA