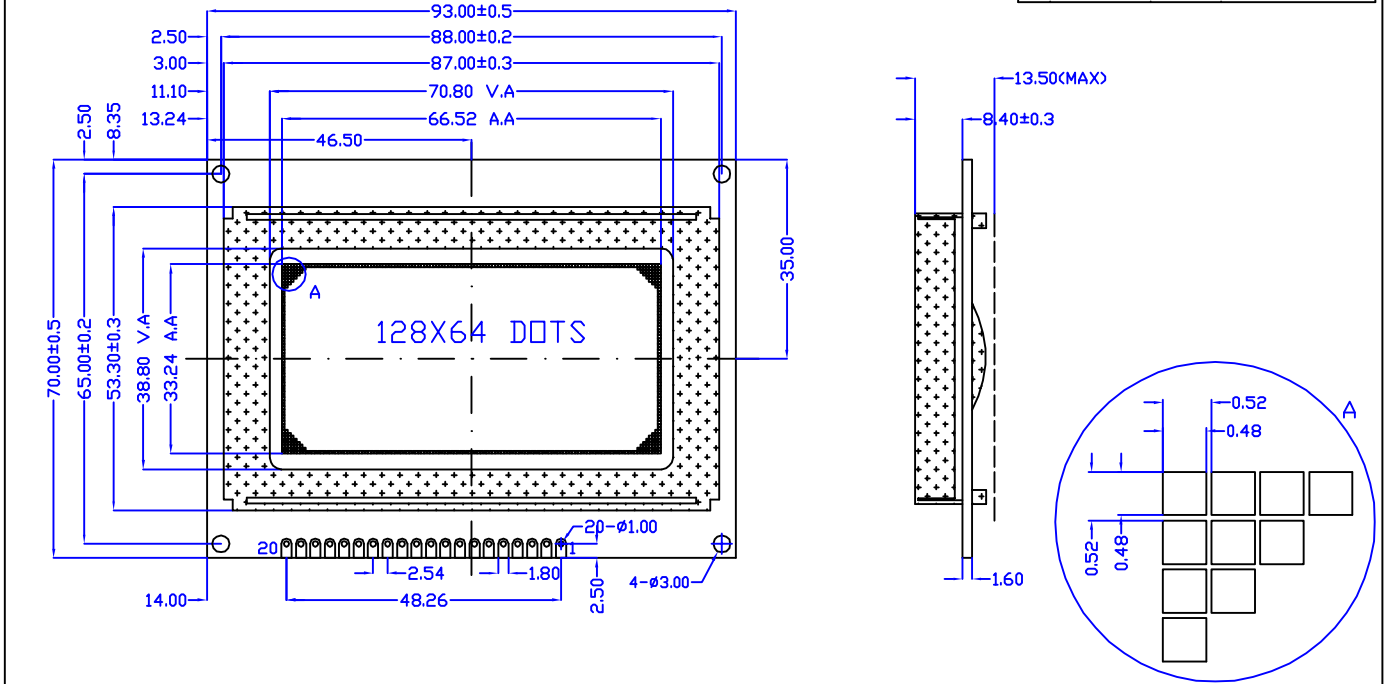


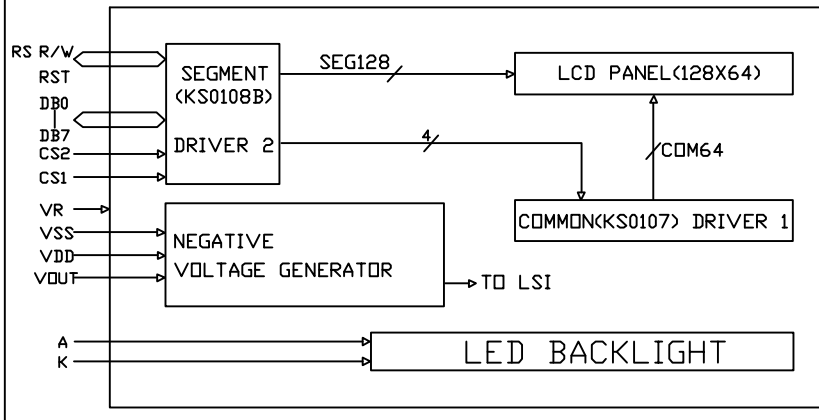
CUSTOMER'S APPROVED:

DATE:

REVISIONS			
NO.	DATE	BY	DESCRIPTION
1.	06/06/18	Ging	NEW RELEASE



Block Diagram



Feature

1. BUILT IN CONTROLLER: KS0107B,KS0108B
2. POWER SUPPLY: 5.0V
3. LCD TYPE: BLUE STN, TRANSMISSIVE
4. BACKLIGHT: LED SIDE BACKLIGHT
5. COLOUR OF BACKLIGHT: WHITE
6. 1/64 DUTY CYCLE, 1/9 BIAS
7. VIEWING ANGLE: 6 O'CLOCK
8. TEMPERATURE RANGE: EXTENDED (-20--70)
9. LOW CONSUMPTION, LOW VOLTAGE, HIGH CONTRAST

Mechanical Data

ITEM	SPECIFICATION	UNIT
OVERALL SIZE	93.0W x 70.0H x 13.5T	MM
VIEWING AREA	70.8W x 38.8H	MM
DOT NUMBER	128 x 64	DOTS
DOT SIZE	0.48W x 0.48H	MM
DOT PITCH	0.52W x 0.52H	MM

Pin Assignment

NO.	SYMBOL	DESCRIPTION
1	VSS	GROUND
2	VDD	POWER SUPPLY FOR LOGIC AND LCD
3	VR	OPERATING VOLTAGE FOR LCD
4	D/I	DATA/INSTRUCTION SELECT
5	R/W	READ/WRITE SELECT
6	E	ENABLE SELECT
7--14	DB0--DB7	DATA BUS
15	CS1	CHIP SELECT OF LEFT PANEL
16	CS2	CHIP SELECT OF RIGHT PANEL
17	/RST	RESET SIGNAL (LOW EFFECTIVE)
18	VDOUT	NEGATIVE VOLTAGE INPUT/OUTPUT
19	A	LED BACKLIGHT POWER SUPPLY(+)
20	K	LED BACKLIGHT POWER SUPPLY(-)

Absolute Maximum Rating

ITEM	SYMBOL	MIN	MAX	UNIT
POWER SUPPLY (LOGIC)	VDD-VSS	0	6.5	V
POWER SUPPLY (LCD DRV)	VDD-V0	0	18.0	V
INPUT VOLTAGE	VI	VI	VDD	V

Electrical Characteristics

ITEM	SYMBOL	MIN	TYP	MAX	UNIT
VOLTAGE FOR LOGIC	VDD-VSS	4.75	5.0	5.25	V
SUPPLY CURRENT	IDD	-	12.0	-	mA
LCD OPERATING VOLTAGE	0C	-	9.3	-	V
	25C	-	9.0	-	V
	40C	-	8.7	-	V
INPUT VOLTAGE	H VIH	0.7VDD	-	VDD	V
	L VIL	0	-	0.3VDD	V

DESCRIPTION: C/D	Distar Technology Limited	
GENERAL TOL: ±0.2	www.distarltd.com	Drw WXR
DO NOT SCALE THIS DRAWING.		Chk Apv

DS-G12864J-BTSSWE-YAA