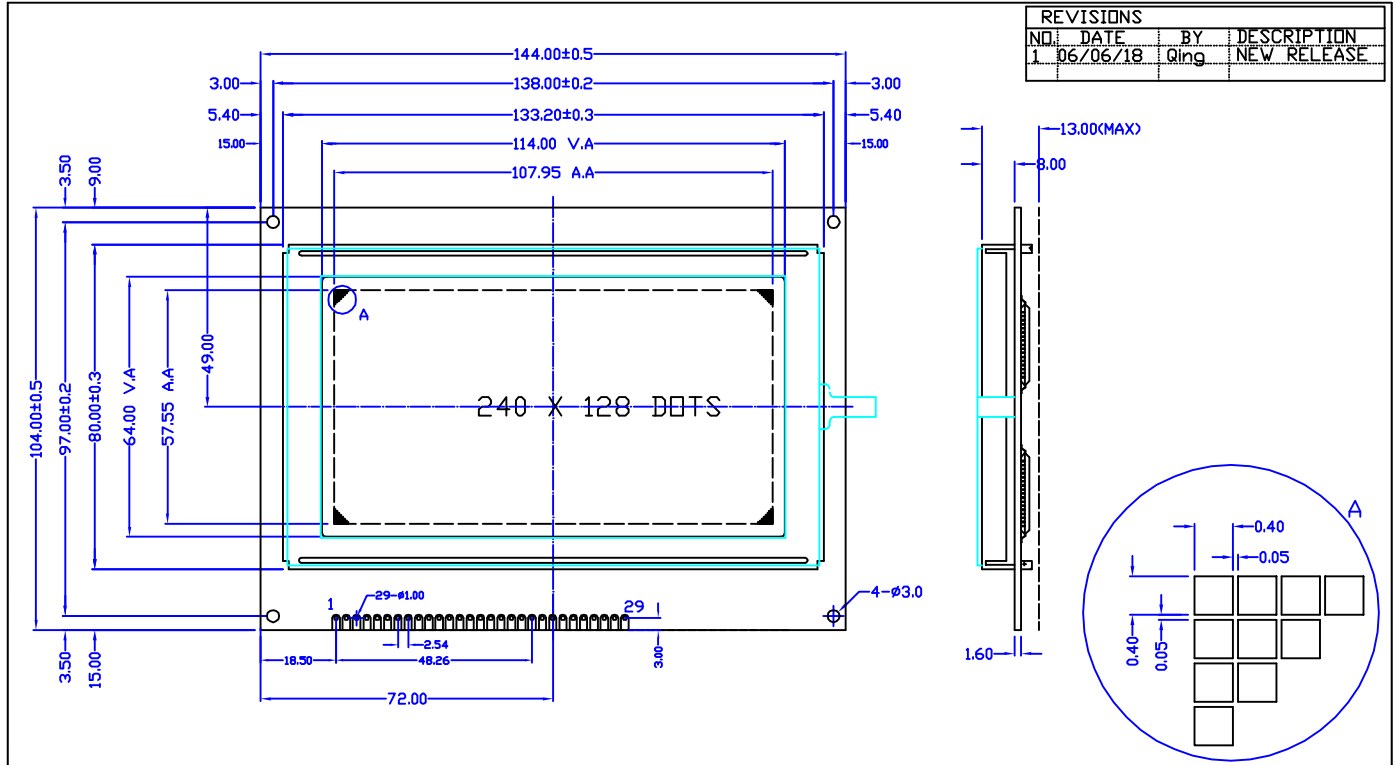


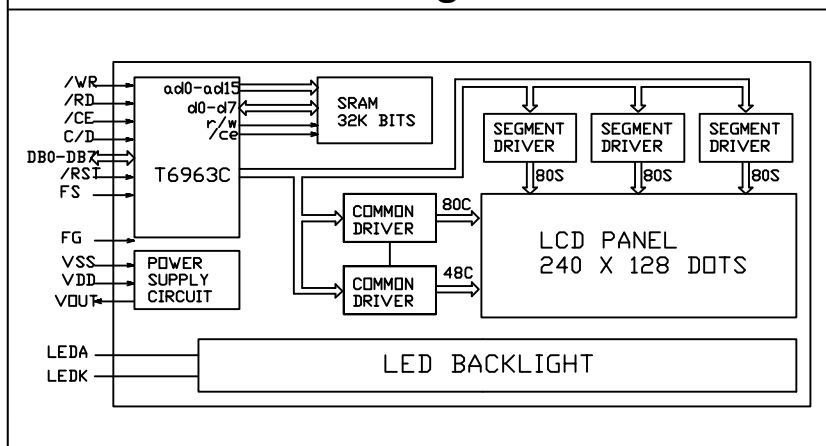
CUSTOMER'S APPROVED:

DATE:

REVISIONS			
NO.	DATE	BY	DESCRIPTION
1	06/06/18	Qing	NEW RELEASE



Block Diagram



Feature

1. BUILT IN CONTROLLER: T6963C OR EQUIVALENT
2. POWER SUPPLY: 5.0V
3. LCD TYPE: BLUE STN, TRANSMISSIVE
4. BACKLIGHT: LED SIDE BACKLIGHT
5. COLOUR OF BACKLIGHT: WHITE
6. 1/128 DUTY CYCLE, 1/12 BIAS
7. VIEWING ANGLE: 6 O'CLOCK
8. TEMPERATURE RANGE: EXTENDED (-20--70)
9. LOW CONSUMPTION, LOW VOLTAGE, HIGH CONTRAST

Mechanical Data

ITEM	SPECIFICATION	UNIT
OVERALL SIZE	144.0W x 104.0H x 14.0T	MM
VIEWING AREA	133.2W x 64.0H	MM
DOT NUMBER	240 x 128	DOTS
DOT SIZE	0.40W x 0.40H	MM
DOT PITCH	0.45W x 0.45H	MM

Pin Assignment

NO.	SYMBOL	DESCRIPTION	
1	FG	FRAME GROUND	
2	VSS	GROUND	
3	VDD	POWER SUPPLY FOR LOGIC AND LCD	
4	V0	OPERATING VOLTAGE FOR LCD	
5	/WR	DATA WRITE	
6	/RD	DATA READ	
7	/CE	CHIP ENABLE FOR T6963C	
8	C/D	COMMAND/DATA SELECTION	
9	/RST	RESET T6963C (LOW EFFECTIVE)	
10--17	DB0--DB7	DATA BUS	
18	FS	FONT SELECTION (L18X8, H16X8)	
19	VOUT	NEGATIVE VOLTAGE INPUT/OUTPUT	
20	LEDA	LED BACKLIGHT POWER SUPPLY(+)	
21	LEDK	LED BACKLIGHT POWER SUPPLY(-)	
22	SK	CLOCK(TP)	
23	CS	CHIP SELECT(TP)	
24	DI	DATA IN(TP)	
25	BUSY	BUSY SIGNAL(TP)	
26	DO	DATA OUT(TP)	
27	IRQ	PEN INTERRUPT(TP)	
28	IN3		
		29	IN4

Absolute Maximum Rating

ITEM	SYMBOL	MIN	MAX	UNIT
POWER SUPPLY(LOGIC)	VDD-VSS	0	6.5	V
POWER SUPPLY(LCD DRV.)	VDD-V0	0	30.0	V
INPUT VOLTAGE	Vi	Vi	VDD	V

Electrical Characteristics

ITEM	SYMBOL	MIN	TYP	MAX	UNIT
VOLTAGE FOR LOGIC	VDD-VSS	4.75	5.0	5.25	V
SUPPLY CURRENT	IDD	-	12.0	-	mA
LCD OPERATING VOLTAGE	VDD-V0	0C	-	19.0	-
		25C	-	18.5	-
		40C	-	18.0	-
INPUT VOLTAGE	H	ViH	0.7VDD	-	VDD
	L	ViL	0	-	0.3VDD

DESCRIPTION: C/D	Distar Technology Limited	
GENERAL TOL: ±0.2	www.distaritd.com	Drw WXR
DO NOT SCALE THIS DRAWING.	Unit:mm	Chk Apv

DS-G240128D-BTSSWE-YAA