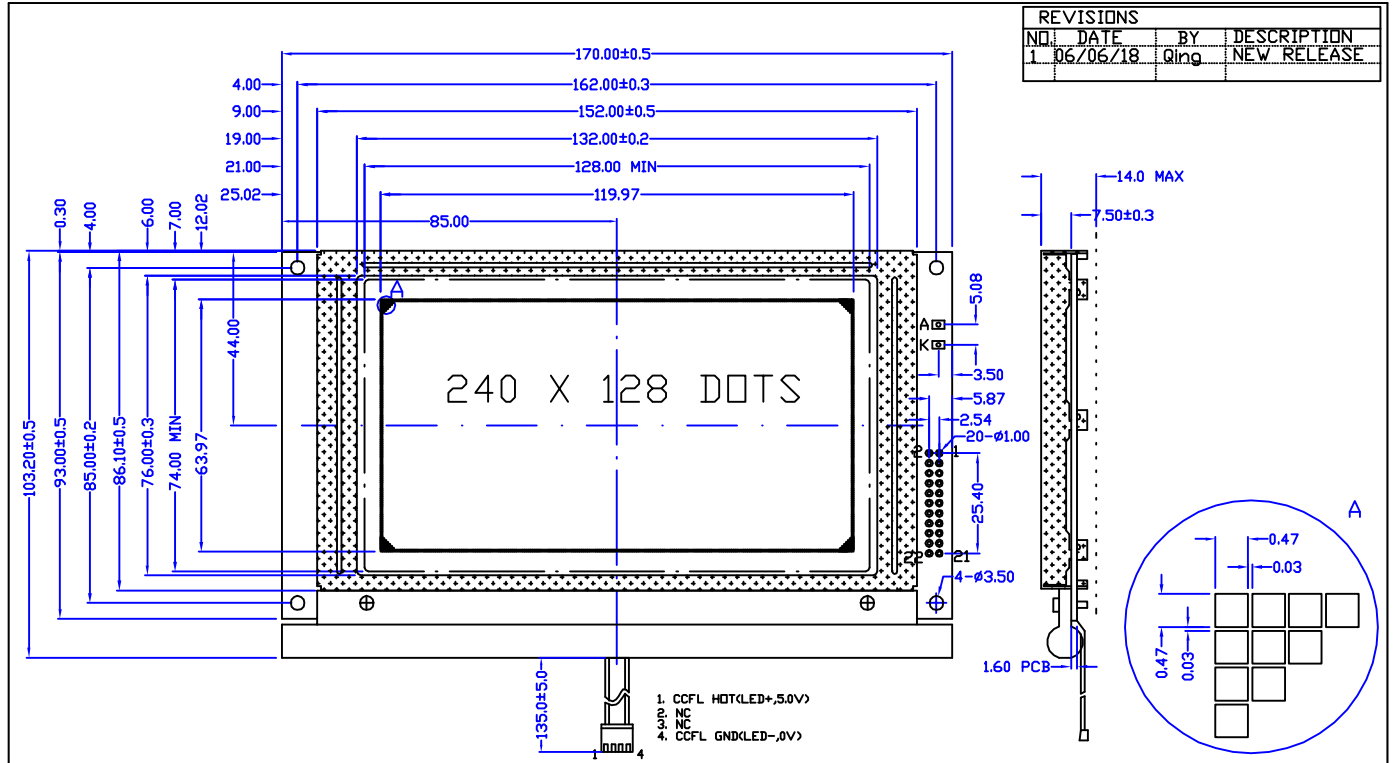


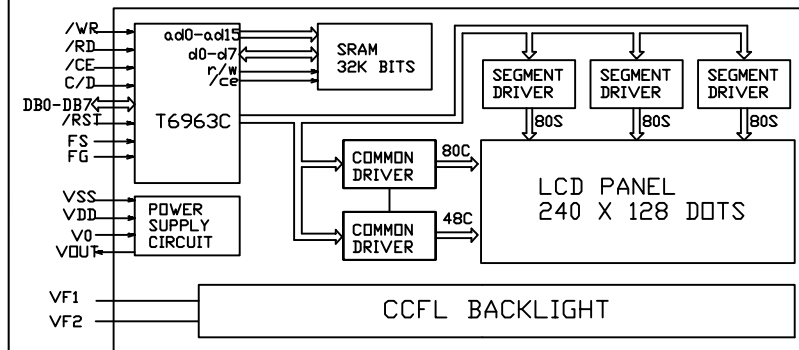
CUSTOMER'S APPROVED:

DATE:

REVISIONS			
NO.	DATE	BY	DESCRIPTION
1	06/06/18	Qing	NEW RELEASE



### Block Diagram



### Feature

1. BUILT IN CONTROLLER: T6963C OR EQUIVALENT
2. POWER SUPPLY: 5.0V
3. LCD TYPE: BLUE STN, TRANSMISSIVE
4. BACKLIGHT: CCFL BACKLIGHT
5. COLOUR OF BACKLIGHT: WHITE
6. 1/128 DUTY CYCLE, 1/12 BIAS
7. VIEWING ANGLE: 6 O'CLOCK
8. TEMPERATURE RANGE: EXTENDED (-20--70)
9. LOW CONSUMPTION, LOW VOLTAGE, HIGH CONTRAST

### Mechanical Data

ITEM	SPECIFICATION	UNIT
OVERALL SIZE	170.0W x 103.2H x 14.0T	MM
VIEWING AREA	132.0W x 76.0H	MM
DOT NUMBER	240 x 128	DOTS
DOT SIZE	0.47W x 0.47H	MM
DOT PITCH	0.50W x 0.50H	MM

### Pin Assignment

NO.	SYMBOL	DESCRIPTION
1	FG	FRAME GROUND
2	VSS	GROUND
3	VDD	POWER SUPPLY FOR LOGIC AND LCD
4	V0	OPERATING VOLTAGE FOR LCD
5	/WR	DATA WRITE
6	/RD	DATA READ
7	/CE	CHIP ENABLE FOR T6963C
8	C/D	COMMAND/DATA SELECTION
9	NC	NO CONNECTION
10	/RST	RESET T6963C (LOW EFFECTIVE)
11--18	DB0--DB7	DATA BUS
19	FS	FONT SELECTION (L:8X8, H:6X8)
20	REV	H: REVERSE DISPLAY L:NORMAL
21	LEDA	LED BACKLIGHT POWER SUPPLY(+)
22	LEDK	LED BACKLIGHT POWER SUPPLY(-)

### Absolute Maximum Rating

ITEM	SYMBOL	MIN	MAX	UNIT
POWER SUPPLY(LOGIC)	VDD-VSS	0	6.5	V
POWER SUPPLY(LCD DRV.)	VDD-V0	0	30.0	V
INPUT VOLTAGE	VI	VI	VDD	V

### Electrical Characteristics

ITEM	SYMBOL	MIN	TYP	MAX	UNIT	
VOLTAGE FOR LOGIC	VDD-VSS	4.75	5.0	5.25	V	
SUPPLY CURRENT	IDD	-	12.0	-	mA	
LCD OPERATING VOLTAGE	VDD-V0	0C	-	19.0	-	V
		25C	-	18.5	-	V
		40C	-	18.0	-	V
INPUT VOLTAGE	H	VIH	0.7VDD	-	VDD	V
	L	VIL	0	-	0.3VDD	V

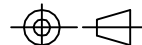
DESCRIPTION: C/D Distar Technology Limited

GENERAL TOL: ±0.2

www.distarltd.com

Drw WXR

DO NOT SCALE THIS DRAWING.



Unit:mm

Chk

Apv

DS-G240128G-BTSSWE-YAA