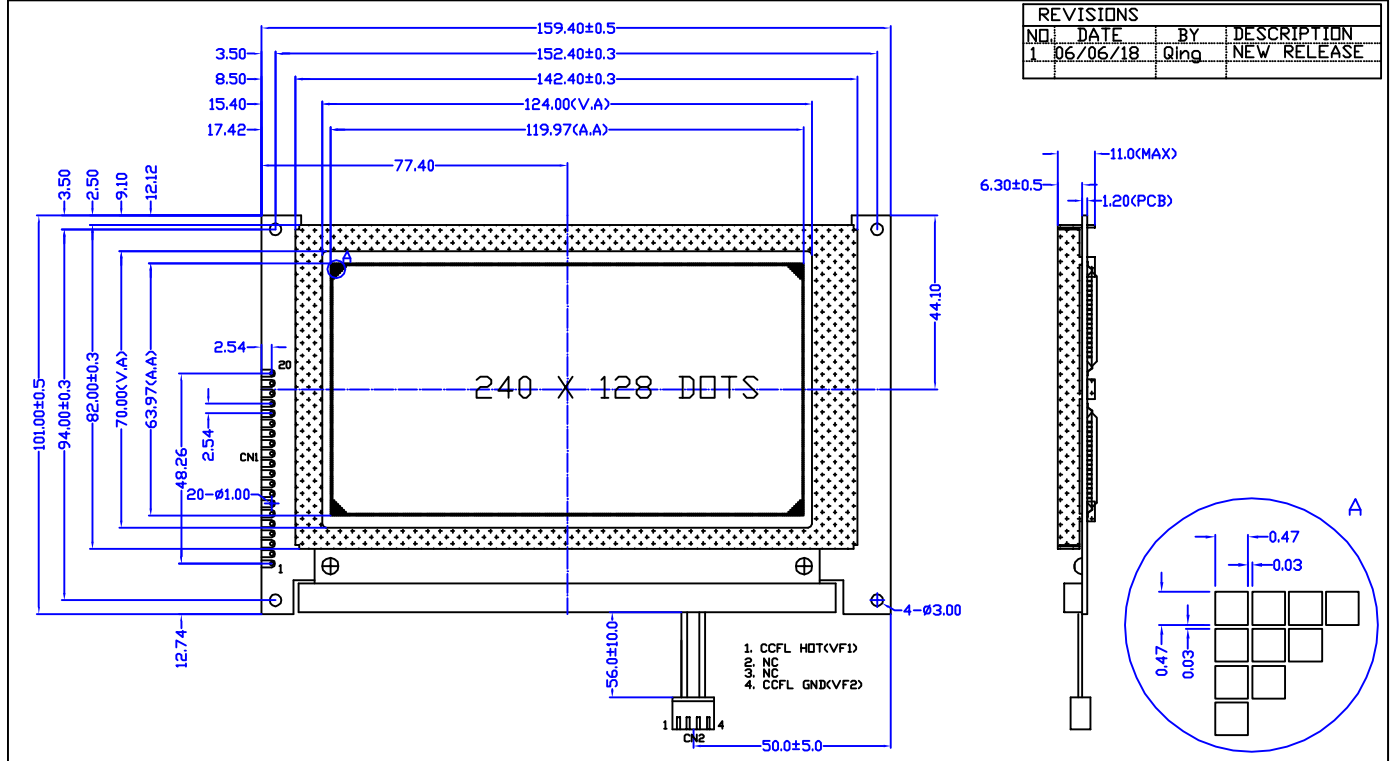


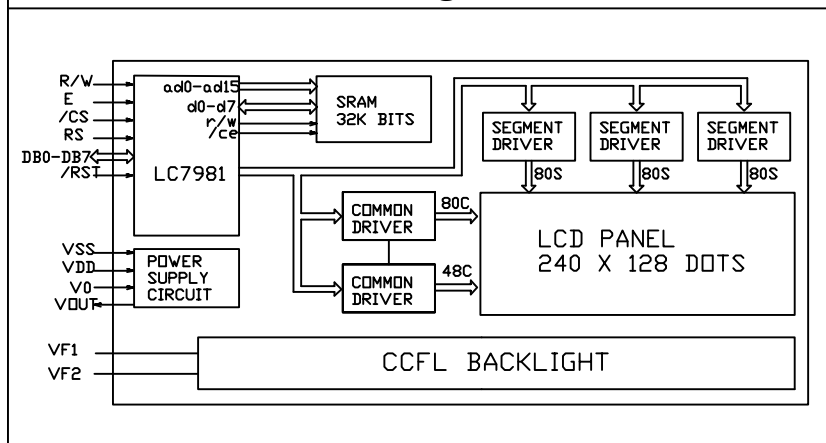
CUSTOMER'S APPROVED:

DATE:

REVISIONS			
NO.	DATE	BY	DESCRIPTION
1	06/06/18	Qing	NEW RELEASE



Block Diagram



Feature

1. BUILT IN CONTROLLER: LC7981 OR EQUIVALENT
2. POWER SUPPLY: 5.0V
3. LCD TYPE: BLUE STN, TRANSMISSIVE
4. BACKLIGHT: CCFL BACKLIGHT
5. COLOUR OF BACKLIGHT: WHITE
6. 1/128 DUTY CYCLE, 1/12 BIAS
7. VIEWING ANGLE: 6 O'CLOCK
8. TEMPERATURE RANGE: EXTENDED(-20--70)
9. LOW CONSUMPTION, LOW VOLTAGE, HIGH CONTRAST

Mechanical Data

ITEM	SPECIFICATION	UNIT
OVERALL SIZE	159.4W x 101.0H x 11.0T	MM
VIEWING AREA	124.0W x 70.0H	MM
DOT NUMBER	240 x 128	DOTS
DOT SIZE	0.47W x 0.47H	MM
DOT PITCH	0.50W x 0.50H	MM

Pin Assignment

NO.	SYMBOL	DESCRIPTION
1	VSS	GROUND
2	VDD	POWER SUPPLY FOR LOGIC AND LCD
3	V0	OPERATING VOLTAGE FOR LCD
4	RS	REGISTER SELECT
5	R/W	DATA READ/WRITE
6	E	ENABLE SIGNAL
7--14	DB0--DB7	DATA BUS
15	/CS	CHIP ENABLE FOR LC7981
16	/RST	RESET SIGNAL (LOW EFFECTIVE)
17	VOUT	NEGATIVE VOLTAGE INPUT/OUTPUT
18	DISPOFF	NC/DISPLAY ON/DISPLAY OFF
19	NC	NO CONNECT
20	NC	NO CONNECT

Absolute Maximum Rating

ITEM	SYMBOL	MIN	MAX	UNIT
POWER SUPPLY(LOGIC)	VDD-VSS	0	6.5	V
POWER SUPPLY(LCD DRV.)	VDD-V0	0	30.0	V
INPUT VOLTAGE	VI	VI	VDD	V

Electrical Characteristics

ITEM	SYMBOL	MIN	TYP	MAX	UNIT
VOLTAGE FOR LOGIC	VDD-VSS	4.75	5.0	5.25	V
SUPPLY CURRENT	IDD	-	12.0	-	mA
LCD OPERATING VOLTAGE	VDD-V0	0C	-	15.0	V
		25C	-	14.0	V
		40C	-	13.5	V
INPUT VOLTAGE	H	ViH	0.7VDD	-	VDD
	L	ViL	0	-	0.3VDD

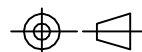
DESCRIPTION: C/D Distar Technology Limited

GENERAL TOL: ±0.2

www.distarltd.com

Drw WXR

DO NOT SCALE THIS DRAWING.



Unit:mm

Chk

Apv

DS-G240128T-BTSSWE-YAA