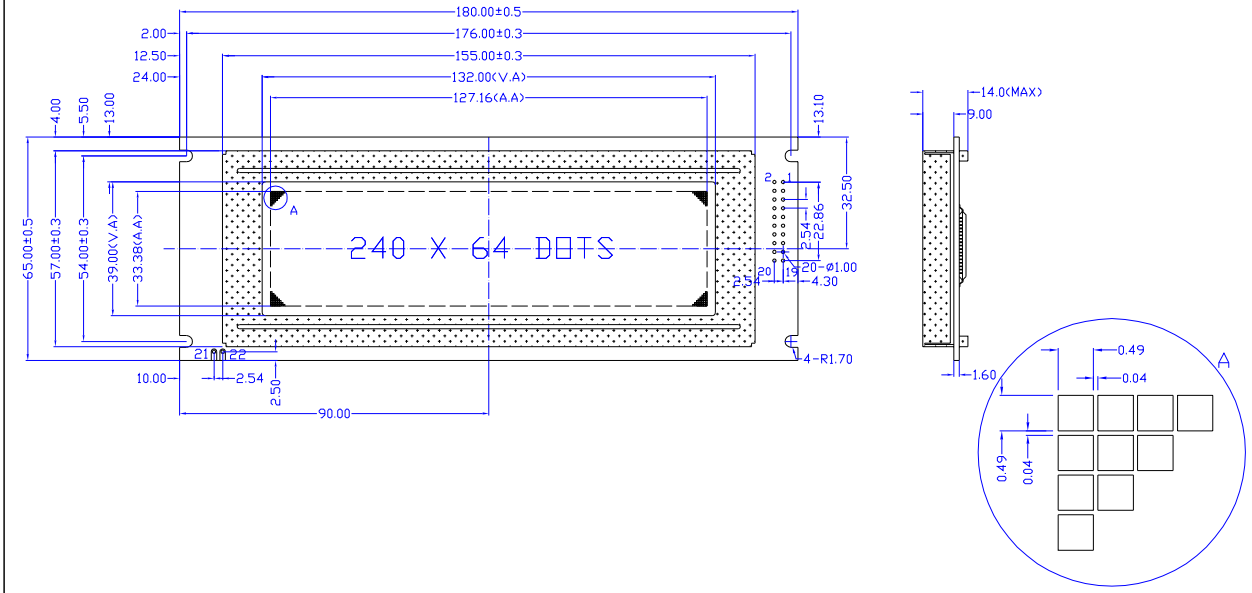


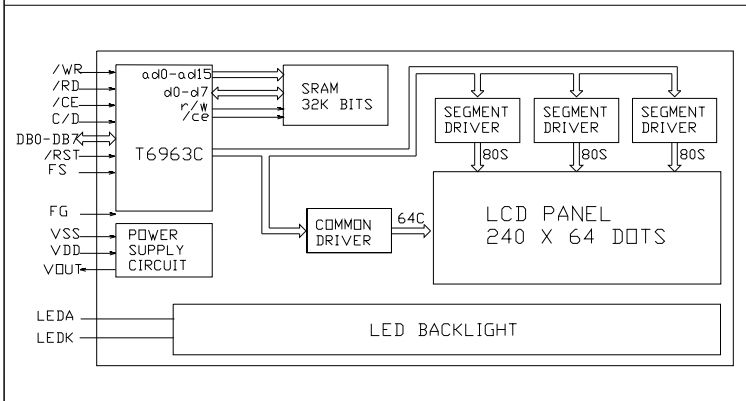
CUSTOMER'S APPROVED:

DATE:

REVISIONS			
NO.	DATE	BY	DESCRIPTION
1	10/11/20	Qing	NEW RELEASE



Block Diagram



Feature

1. BUILT IN CONTROLLER: T6963C OR EQUIVALENT
2. POWER SUPPLY: 5.0V
3. LCD TYPE: BLUE STN, TRANSMISSIVE
4. BACKLIGHT: LED SIDE BACKLIGHT
5. COLOUR OF BACKLIGHT: WHITE
6. 1/64 DUTY CYCLE, 1/9 BIAS
7. VIEWING ANGLE: 6 O'CLOCK
8. TEMPERATURE RANGE: EXTENDED(-20--70)
9. LOW CONSUMPTION, LOW VOLTAGE, HIGH CONTRAST

Mechanical Data

ITEM	SPECIFICATION	UNIT
OVERALL SIZE	180.0W x 65.0H x 14.0T	MM
VIEWING AREA	132.0W x 39.0H	MM
DOT NUMBER	240 x 64	DOTS
DOT SIZE	0.49W x 0.49H	MM
DOT PITCH	0.53W x 0.53H	MM

Pin Assignment

NO.	SYSBOL	DESCRIPTION
1	FG	FRAME GROUND
2	VSS	GROUND
3	VDD	POWER SUPPLY FOR LOGIC AND LCD
4	V0	OPERATING VOLTAGE FOR LCD
5	/WR	DATA WRITE
6	/RD	DATA READ
7	/CE	CHIP ENABLE FOR T6963C
8	C/D	COMMAND/DATA SELECTION
9	NC	NO CONNECTION
10	/RST	RESET T6963C (LOW EFFECTIVE)
11--18	DB0--DB7	DATA BUS
19	FS	FONT SELECTION (L:8X8, H:6X8)
20	VOUT	NEGATIVE VOLTAGE INPUT/OUTPUT
21	LEDA	LED BACKLIGHT POWER SUPPLY(+)
22	LEDK	LED BACKLIGHT POWER SUPPLY(-)

Absolute Maximum Rating

ITEM	SYMBOL	MIN	MAX	UNIT
POWER SUPPLY(LOGIC)	VDD-VSS	0	6.5	V
POWER SUPPLY(LCD DRV.)	VDD-V0	0	30.0	V
INPUT VOLTAGE	Vi	Vi	VDD	V

Electrical Characteristics

ITEM	SYMBOL	MIN	TYP	MAX	UNIT
VOLTAGE FOR LOGIC	VDD-VSS	4.75	5.0	5.25	V
SUPPLY CURRENT	IDD	-	12.0	-	mA
LCD OPERATING VOLTAGE	0C	-	12.8	-	V
	25C	-	12.2	-	V
	40C	-	11.6	-	V
INPUT VOLTAGE	H	0.7VDD	-	VDD	V
	L	ViL	0	0.3VDD	V

DESCRIPTION: C/D Distar Technology Limited

GENERAL TOL: 402 www.distarltd.com Drw WXR

DO NOT SCALE THIS DRAWING. Unit:mm Chk Apv

DS-G24064B-BTSSWE-YAA