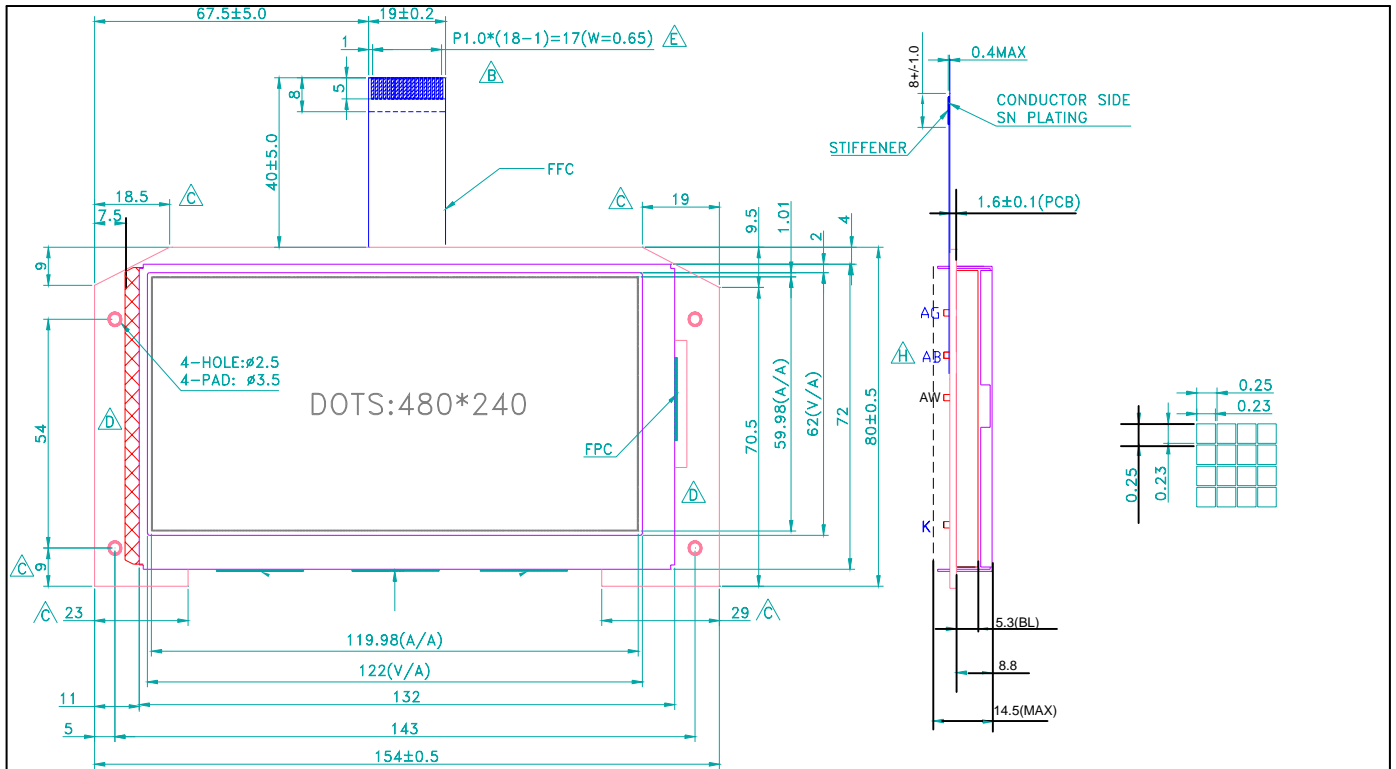
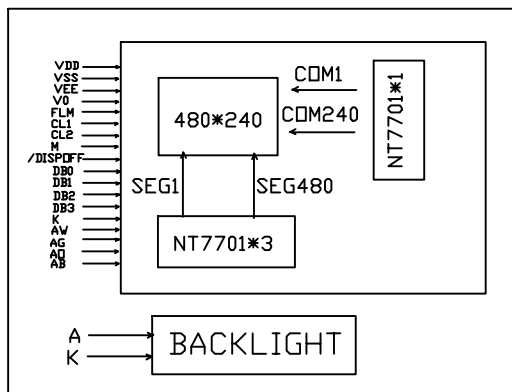


CUSTOMER'S APPROVED:

DATE:



Block Diagram



Feature

1. BUILT IN CONTROLLER: RA8835A
2. POWER SUPPLY: 3.3V
3. LCD TYPE:FSTN,TRANSFLECTIVE
4. BACKLIGHT:LED SIDE BACKLIGHT
5. COLOUR OF BACKLIGHT: WHITE
6. 1/240 DUTY CYCLE,1/16 BIAS
7. VIEWING ANGLE:12 O'CLOCK
8. TEMP RANGE:Top:-20--70C; Tst:-30--80C
9. LOW CONSUMPTION,LOW VOLTAGE,HIGH CONTRAST

Mechanical Data

ITEM	SPECIFICATION	UNIT
OVERALL SIZE	154.0W x 80.0H x 14.5T	MM
VIEWING AREA	122.0W x 62.0H	MM
DOT NUMBER	480 x 240	DOTS
DOT SIZE	0.23W x 0.23H	MM
DOT PITCH	0.25W x 0.25H	MM

Pin Assignment

NO.	SYMBOL	DESCRIPTION
1	VDD	SUPPLY LOGIC VOLTAGE
2	VSS	POWER GROUND
3	VEE	BOOSTER OUTPUT TERMINAL
4	V0	POWER SUPPLY FOR LCD DRIVER
5	FLM	SCAN START PULSE
6	CL1	DOT DATA LATCH PULSE
7	CL2	DOT DATA SHIFT CLOCK FOR X DRIVER
8	M	FRAME SIGNAL
9	/DISPOFF	POWER DOWN SIGNAL WHEN DISPLAY OFF
10-13	DB0-DB3	DATA BUS
14	K	BACKLIGHT NEGATIVE
15	AW	BACKLIGHT WHITE POSITIVE
16	AG	BACKLIGHT GREEN POSITIVE
17	AD	BACKLIGHT ORANGE POSITIVE
18	AB	BACKLIGHT BLUE POSITIVE

Absolute Maximum Rating

ITEM	SYMBOL	MIN	MAX	UNIT
POWER SUPPLY(LOGIC)	VDD	0.3	7.0	V
POWER SUPPLY(LCD DRV.)	Vlcd	0.3	30.0	V
INPUT VOLTAGE	Vi	-0.3	VDD+0.3	V

Electrical Characteristics

ITEM	SYMBOL	MIN	TYP	MAX	UNIT
VOLTAGE FOR LOGIC	VDD-VSS	3.0	3.3	3.6	V
SUPPLY CURRENT	IDD	-	3.0	5.0	mA
LCD OPERATING VOLTAGE	VDD-V0	10C	-	24.8	V
		25C	-	24.0	V
		40C	-	23.0	V
INPUT VOLTAGE	H	ViH	0.8VDD	-	VDD
	L	ViL	VSS	-	0.2VDD

DS-G480240A-FFTSWE-YBA

DESCRIPTION: C/D	Distar Technology Limited	
GENERAL TOL: ±0.2	www.distarltd.com	Drw WXR
DO NOT SCALE THIS DRAWING.	Unit:mm	Chk Apv