

**ABSOLUTE MAXIMUM RATINGS**

Item	Symbol	Min.	Max.	Unit
Supply Voltage(Logic)	Vdd - Vss	-0.3	3.3	V
Supply Voltage(LCD)	Vlcd	-0.3	13.2	V
Input Voltage	Vi	-0.4	Vdd + 0.3	V
Operating Temp.	Topr	0	50	°C
Storage Temp.	Tstg	-15	60	°C

**MECHANICAL DATA**

Item	Max.	Unit
Module Size (W X H X T)	83.0 X 50.0 X 2.8	mm
Viewing Area(W X H)	80.0 X 40.0	mm
Dot Pitch(W X H)	0.6X 0.58	mm
Dot Size(W X H)	0.57 X 0.55	mm
View Angle	12 O'Clock	

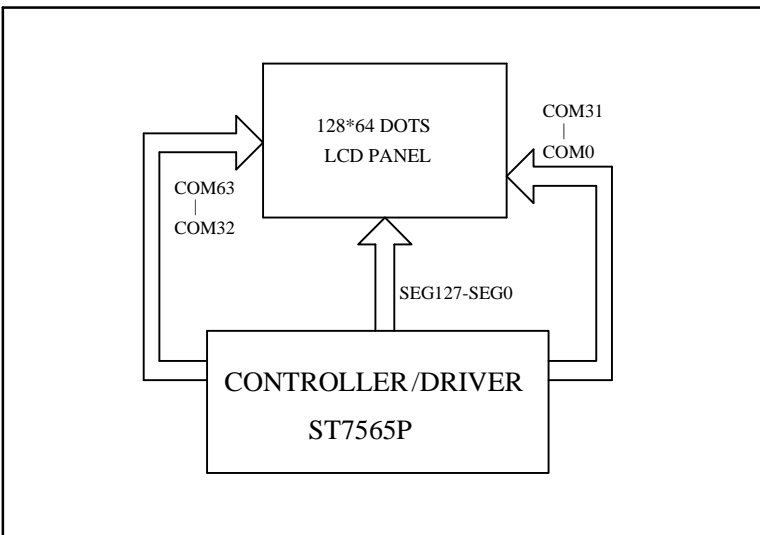
**ELECTRICAL CHARACTERISTICS (Vdd=3.0V±0.3V)**

Item	Symbol	Test Condition	Min.	Typ.	Max.	Unit
Input High Voltage	Vih	--	0.8Vdd	--	--	V
Input Low Voltage	Vil	--	--	--	0.2Vdd	V
Output High Voltage	Voh	--	0.8Vdd	--	--	V
Output Low Voltage	Vol	--	--	--	0.2Vdd	V
Current consumption	Idd	Vdd=3.0V	--	239	--	μ A
LCD Driving Voltage	V0	Ta=25°C	--	8.5	--	V

**PIN CONNECTIONS**

Pin	Symbol	Function
1	CS1B	Chip select pin
2	RESB	Reset signal input
3	RS	
4	D6	Serial clock input.
5	D7	Serial data input.
6	VDD	Power Supply for Logic(+3.3V)
7	VSS	Ground
8	VOUT	DC/DC voltage converter.
7~13	C3+, C1-,C1+, C2+,C2-, C4+	DC/DC voltage converter.
14~17	V1~V4	LCD bias set
18	V0	LCD bias set

**BLOCK DIAGRAM**



**LCD Type**

LCD Color	Backlight
FSTN/POSITIVE	
TRANSMISSIVE	