

ABSOLUTE MAXIMUM RATINGS

Item	Symbol	Min.	Max.	Unit
Supply Voltage(Logic)	VDD	2.7	3.3	V
Supply Voltage(LCD)	V0-XV0	-0.3	16.0	V
Input Voltage	Vi	-0.3	VDD+0.3	V
Operating Temp.	Topr	-10	60	°C
Storage Temp.	Tstg	-20	70	°C

MECHANICAL DATA

Item	Max.	Unit
Module Size (W X H X T)	75.0 X 43.6 X 5.1	mm
Viewing Area(W X H)	61.0 X 31.5	mm
Dot Pitch(W X H)	0.44X 0.44	mm
Dot Size(W X H)	0.42X 0.42	mm
View Angle	6 O'Clock	

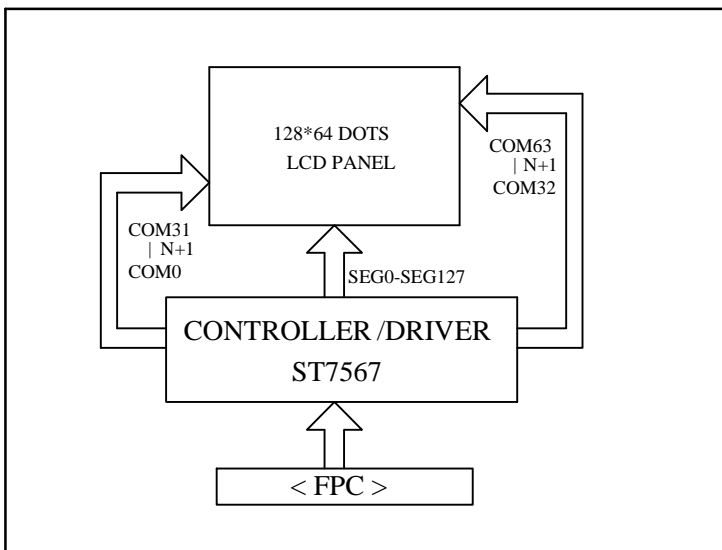
ELECTRICAL CHARACTERISTICS (Vdd=3.0V±0.3V)

Item	Symbol	Test Condition	Min.	Typ.	Max.	Unit
Input High Voltage	Vih	--	0.8VDD	--	VDD	V
Input Low Voltage	Vil	--	VSS	--	0.2VDD	V
Output High Voltage	Voh	--	0.8VDD	--	VDD	V
Output Low Voltage	Vol	--	VSS	--	0.2VDD	V
Current consumption	Idd	Vdd=3.0V	--	135	205	μA
LCD Driving Voltage	V0	Ta=25 °C	--	10	--	V

PIN CONNECTIONS

Pin	Symbol	Function
1	NC	
2	CS	Chip select pin
3	RES	Reset signal input
4	A0	"L": Control data "H": Display data
5	SCK	Serial clock input.
6	SDA	Serial data input.
7	VDD	Power Supply Voltage(+3.0V)
8	VDD	Power Supply Voltage(+3.0V)
9	GND	Ground
10~14	NC	
15	V0	LCD driving voltage for common
16	XV0	LCD driving voltage for common
17	VG	LCD driving voltage for segment
18	NC	

BLOCK DIAGRAM



Display Type

LCD	Backlight
STN/Y-G	GREEN / 3.0V / 15mA