

ABSOLUTE MAXIMUM RATINGS

Item	Symbol	Min.	Max.	Unit
Supply Voltage(Logic)	Vdd - Vss	-0.3	4.0	V
Supply Voltage(LCD)	Vlcd	-0.3	13.2	V
Input Voltage	Vi	-0.4	Vdd+0.3	V
Operating Temp.	Topr	-10	60	°C
Storage Temp.	Tstg	-20	70	°C

MECHANICAL DATA

Item	Max.	Unit
Module Size (W X H X T)	69.0 X 46.0 X 2.8	mm
Viewing Area(W X H)	66.5 X 38.0	mm
Dot Pitch(W X H)	0.475 X 0.515	mm
Dot Size(W X H)	0.45 X 0.49	mm
View Angle	6 O'Clock	

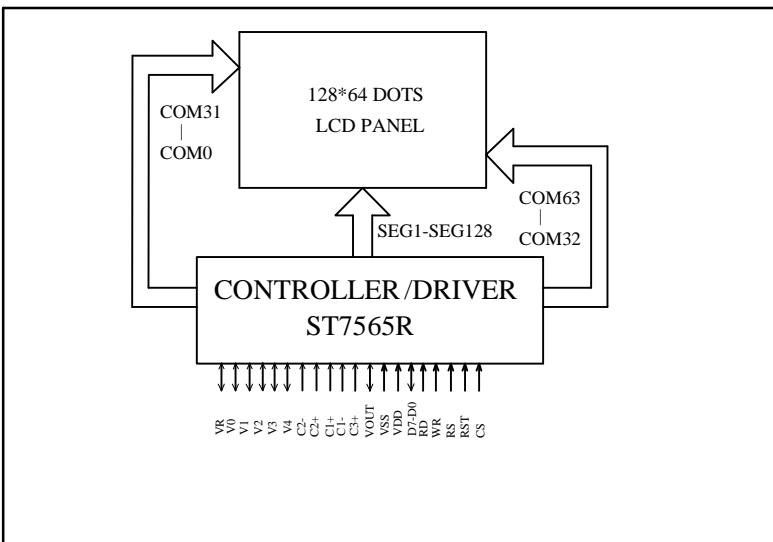
ELECTRICAL CHARACTERISTICS (Vdd=3.0V±0.3V)

Item	Symbol	Test Condition	Min.	Typ.	Max.	Unit
Input High Voltage	Vih	--	0.8Vdd	--	Vdd	V
Input Low Voltage	Vil	--	--	--	0.2Vdd	V
Output High Voltage	Voh	--	0.8Vdd	--	--	V
Output Low Voltage	Vol	--	--	--	0.2Vdd	V
Current consumption	Idd	Vdd=3.0V	--	--	50	μ A
LCD Driving Voltage	V0	Ta=25 °C	--	9.0	--	V

PIN CONNECTIONS

Pin	Symbol	Function
1-2	NC	
3	CS	Chip select pin
4	RST	Reset signal input
5	RS	"L": Control data "H": Display data
6	/WR(R/W)	Write Select Signal
7	/RD(E)	Read Enable Signal
8-15	D7-D0	Display Data Signal
16	VDD	Power Supply for Logic(+3.0V)
17	VSS	Ground
18	VOUT	
19	C3+	DC/DC voltage converter.
20	C1-	
21	C1+	
22	C2+	
23	C2-	
24	NC	LCD bias set
25	V4	
26	V3	
27	V2	
28	V1	
29	V0	
30	VR	Output voltage regulator terminal.
31	NC	
32	C86	the MPU interface selection pin.
33	PS	parallel mode or serial mode.
34	NC	
35	IRS	the V0 voltage level adjustment.
36	NC	

BLOCK DIAGRAM



LCD Type

LCD Color	Backlight
STN/Yellow-Green	