

ABSOLUTE MAXIMUM RATINGS

Item	Symbol	Min.	Max.	Unit
Supply Voltage(Logic)	VDD	3.0	3.6	V
Supply Voltage(LCD)	V0-XV0	-0.3	13.0	V
Input Voltage	Vi	-0.3	VDD+0.3	V
Operating Temp.	Topr	-40	75	°C
Storage Temp.	Tstg	-40	75	°C

MECHANICAL DATA

Item	Max.	Unit
Module Size (W X H X T)	144.0 X 104.0 X 11.6	mm
Viewing Area(W X H)	114 X 64	mm
Dot Pitch(W X H)	0.45X 0.45	mm
Dot Size(W X H)	0.4X 0.4	mm
View Angle	6 O'Clock	

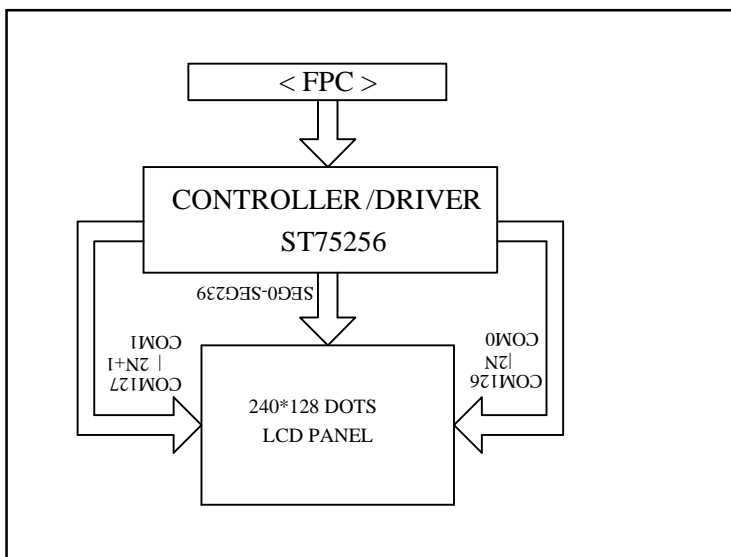
ELECTRICAL CHARACTERISTICS (Vdd=3.0V±0.3V)

Item	Symbol	Test Condition	Min.	Typ.	Max.	Unit
Input High Voltage	Vih	--	0.7VDD	--	VDD	V
Input Low Voltage	Vil	--	VSS	--	0.3VDD	V
Output High Voltage	Voh	--	0.8VDD	--	VDD	V
Output Low Voltage	Vol	--	VSS	--	0.2VDD	V
Current consumption	Idd	Vdd=3.0V	--	150	--	μ A
LCD Driving Voltage	V0	Ta=25 °C	--	16.0	--	V

PIN CONNECTIONS

Pin	Symbol	Function
1	FG	
2	VSS	Ground
3	VDD	Power Supply for Logic(+3.0V)
4	NC	
5	/WR	Write Select Signal
6	/RD	Read Enable Signal
7	/CS	Chip select pin
8	A0	"L": Control data "H": Display data
9	NC	
10	/RST	Reset signal input
11~18	D0~D7	Display Data Signal
19~20	NC	
21	LEDA	Power Supply for Backlight(+3.3V)
22	LEDK	Backlight Ground

BLOCK DIAGRAM



Display Type

LCD	Backlight
STN/NEGATIVE	WHITE/3.0V/80mA
TRANSFLECTIVE	