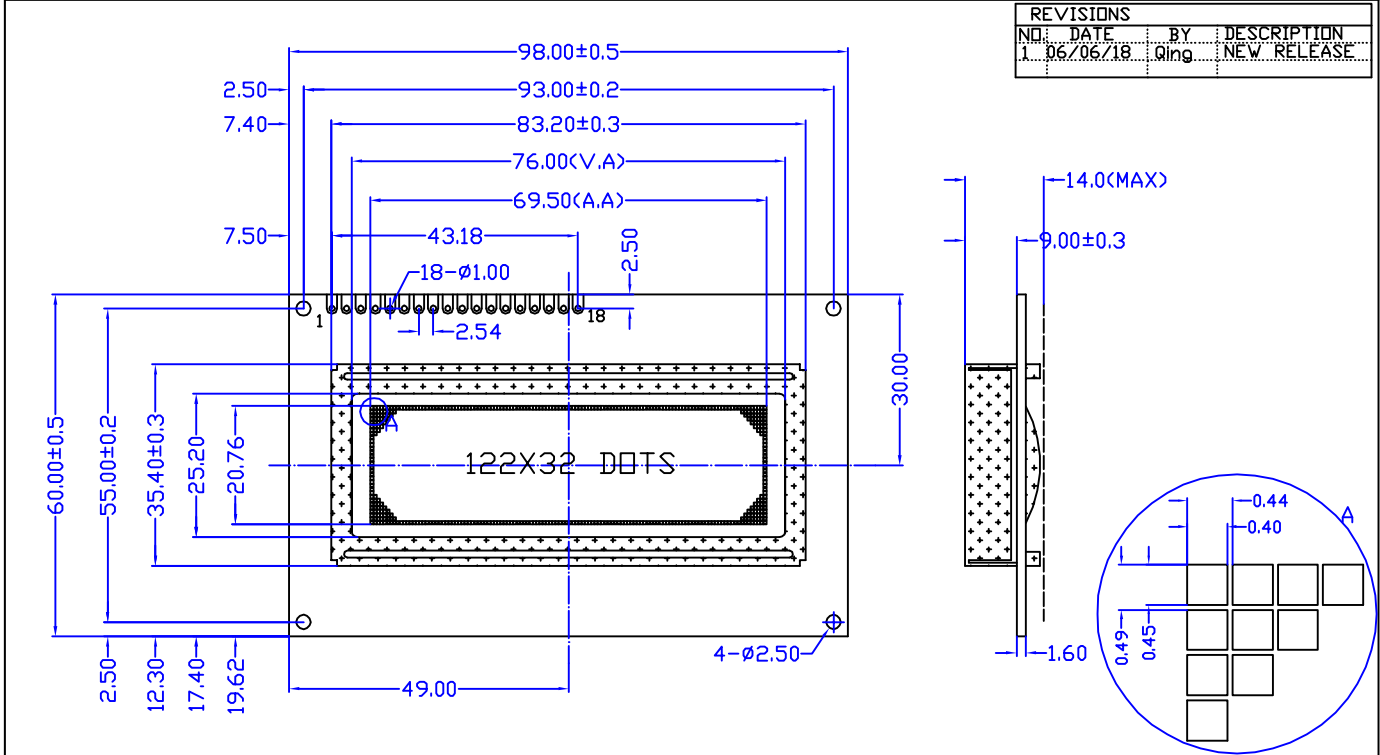


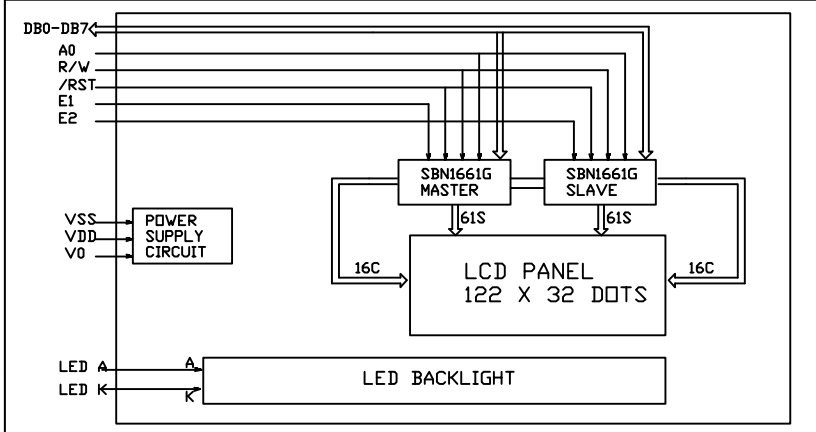
CUSTOMER'S APPROVED:

DATE:

REVISIONS			
NO.	DATE	BY	DESCRIPTION
1.	06/06/18	qing	NEW RELEASE



Block Diagram



Feature

1. BUILT IN CONTROLLER: SBN1661G
2. POWER SUPPLY: 5.0V
3. LCD TYPE: BLUE STN, TRANSMISSIVE
4. BACKLIGHT: LED SIDE BACKLIGHT
5. COLOUR OF BACKLIGHT: WHITE
6. 1/32 DUTY CYCLE, 1/7 BIAS
7. VIEWING ANGLE: 6 O'CLOCK
8. TEMPERATURE RANGE: EXTENDED (-20--70)
9. LOW CONSUMPTION, LOW VOLTAGE, HIGH CONTRAST

Mechanical Data

ITEM	SPECIFICATION	UNIT
OVERALL SIZE	98.0W x 60.0H x 14.0T	MM
VIEWING AREA	76.0W x 25.2H	MM
DOT NUMBER	122 x 32	DOTS
DOT SIZE	0.40W x 0.45H	MM
DOT PITCH	0.44W x 0.49H	MM

Pin Assignment

NO.	SYMBOL	DESCRIPTION
1	VSS	GROUND
2	VDD	POWER SUPPLY FOR LOGIC AND LCD
3	VR	OPERATING VOLTAGE FOR LCD
4	A0	DATA/INSTRUCTION SELECT
5	E1	READ/WRITE ENABLE SIGNAL(MASTER)
6	E2	READ/WRITE ENABLE SIGNAL(SLAVE)
7--14	DB0--DB7	DATA BUS
15	A	LED BACKLIGHT POWER SUPPLY(+)
16	K	LED BACKLIGHT POWER SUPPLY(-)
17	R/W	READ/WRITE SELECT
18	/RST	RESET SIGNAL(LOW EFFECTIVE)

Absolute Maximum Rating

ITEM	SYMBOL	MIN	MAX	UNIT
POWER SUPPLY(LOGIC)	VDD-VSS	0	6.5	V
POWER SUPPLY(LCD DRV.)	VDD-V0	0	13.0	V
INPUT VOLTAGE	Vi	Vi	VDD	V

Electrical Characteristics

ITEM	SYMBOL	MIN	TYP	MAX	UNIT
VOLTAGE FOR LOGIC	VDD-VSS	4.75	5.0	5.25	V
SUPPLY CURRENT	IDD	-	12.0	-	mA
LCD OPERATING VOLTAGE	VDD-V0	0C	5.3	-	V
		25C	4.8	-	V
		40C	4.3	-	V
INPUT VOLTAGE	H	0.7VDD	-	VDD	V
	L	0	-	0.3VDD	V

DESCRIPTION: C/D	Distar Technology Limited	
GENERAL TOL: ±0.2	www.distarltd.com	Drw wxr
DO NOT SCALE THIS DRAWING.		Chk Apv

DS-G12232B-BTSSWE-NAA