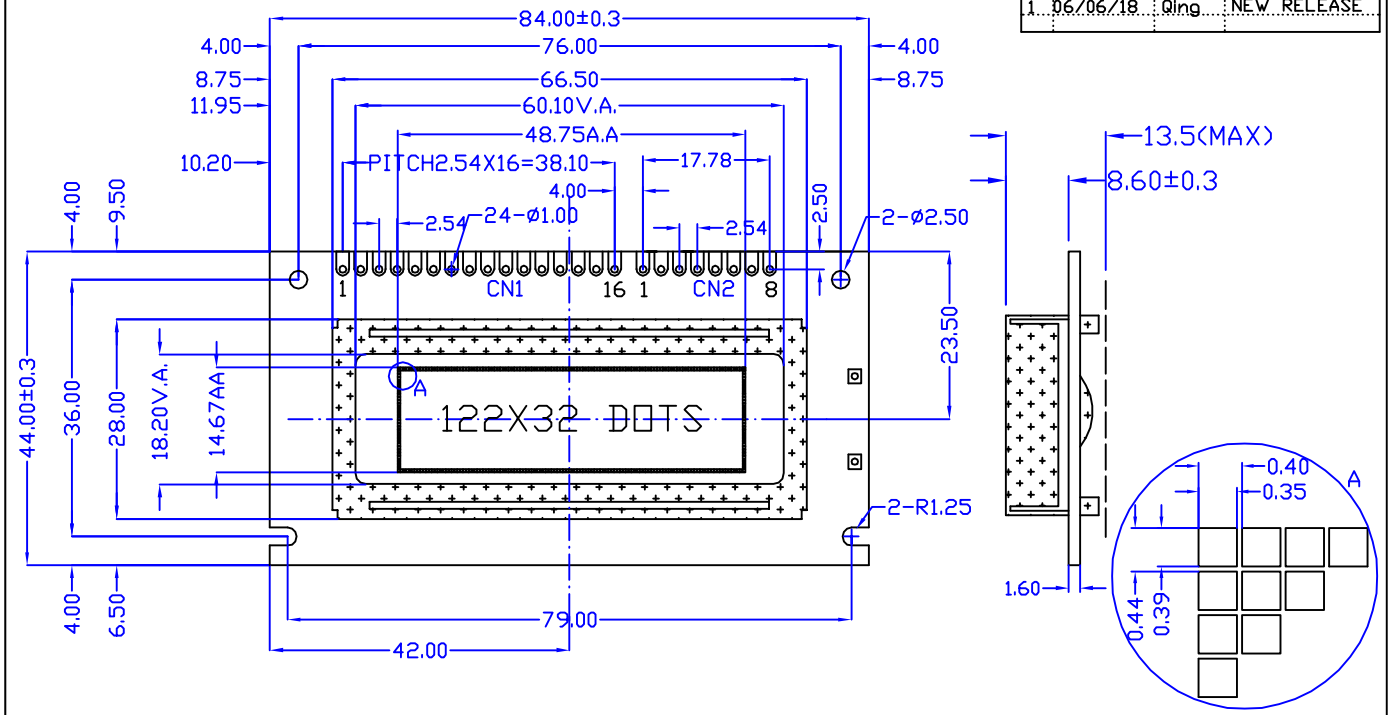


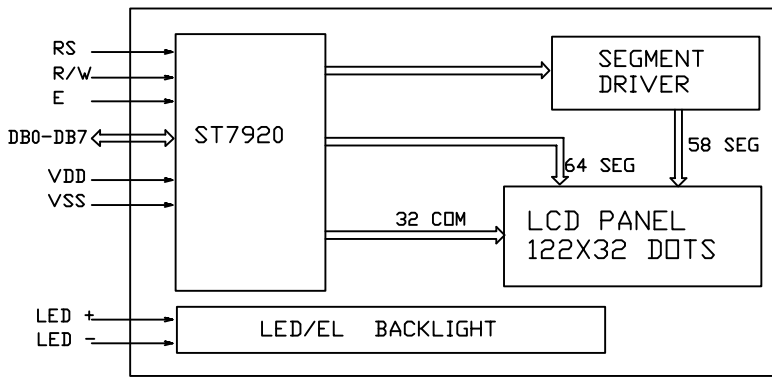
CUSTOMER'S APPROVED:

DATE:

REVISIONS			
NO.	DATE	BY	DESCRIPTION
1	06/06/18	Qing	NEW RELEASE



Block Diagram



Feature

- BUILT IN CONTROLLER:ST7920
- POWER SUPPLY: 5.0V
- LCD TYPE:BLUE STN,TRANSMISSIVE
- BACKLIGHT:LED SIDE BACKLIGHT
- COLOUR OF BACKLIGHT:WHITE
- 1/32 DUTY CYCLE,1/7 BIAS
- VIEWING ANGLE:6 O'CLOCK
- TEMPERATURE RANGE:EXTENDED(-20--70)
- LOW CONSUMPTION,LOW VOLTAGE,HIGH CONTRAST

Mechanical Data

ITEM	SPECIFICATION	UNIT
OVERALL SIZE	84.0W × 44.0H × 13.5T	MM
VIEWING AREA	60.1W × 18.2H	MM
DOT NUMBER	122 × 32	DOTS
DOT SIZE	0.35W × 0.39H	MM
DOT PITCH	0.40W × 0.44H	MM

Pin Assignment

NO.	SYMBOL	DESCRIPTION
1	VSS	GROUND
2	VDD	POWER SUPPLY FOR LOGIC AND LCD
3	V0	POWER SUPPLY FOR LCD DRIVER
4	RS(CS)	REGISTER SELECT
5	R/W(SID)	READ/WRITE CONTROL
6	E/(SCLK)	ENABLE SIGNAL
7--14	DB0--DB7	DATA BUS
15	A	LED BACKLIGHT POWER SUPPLY(+)
16	K	LED BACKLIGHT POWER SUPPLY(-)

CN2 Pin Assignment

NO.	SYMBOL	DESCRIPTION
1	VSS	VSS
2	VDD	VDD
3	V0	V0
4	SCLK	SCLK
5	SID	SID
6	CS	CS
7	A	A
8	K	K

Absolute Maximum Rating

ITEM	SYMBOL	MIN	MAX	UNIT
POWER SUPPLY(LOGIC)	VDD-VSS	0	6.5	V
POWER SUPPLY(LCD DRV.)	V0-VSS	0	7.0	V
INPUT VOLTAGE	VI	VI	VDD	V

Electrical Characteristics

ITEM	SYMBOL	MIN	TYP	MAX	UNIT
VOLTAGE FOR LOGIC	VDD-VSS	4.75	5.0	5.25	V
SUPPLY CURRENT	IDD	-	12.0	-	mA
LCD OPERATING VOLTAGE	V0-VSS	10C	5.3	-	V
		25C	4.8	-	V
		40C	4.3	-	V
INPUT VOLTAGE	H	0.7VDD	-	VDD	V
	L	0	-	0.3VDD	V

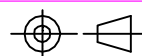
DESCRIPTION: C/D Distar Technology Limited

GENERAL TOL: ±0.2

www.distarltd.com

Drw WXR

DO NOT SCALE THIS DRAWING.



Unit:mm

Chk

Apv

DS-G12232F-BTSSWE-NAA