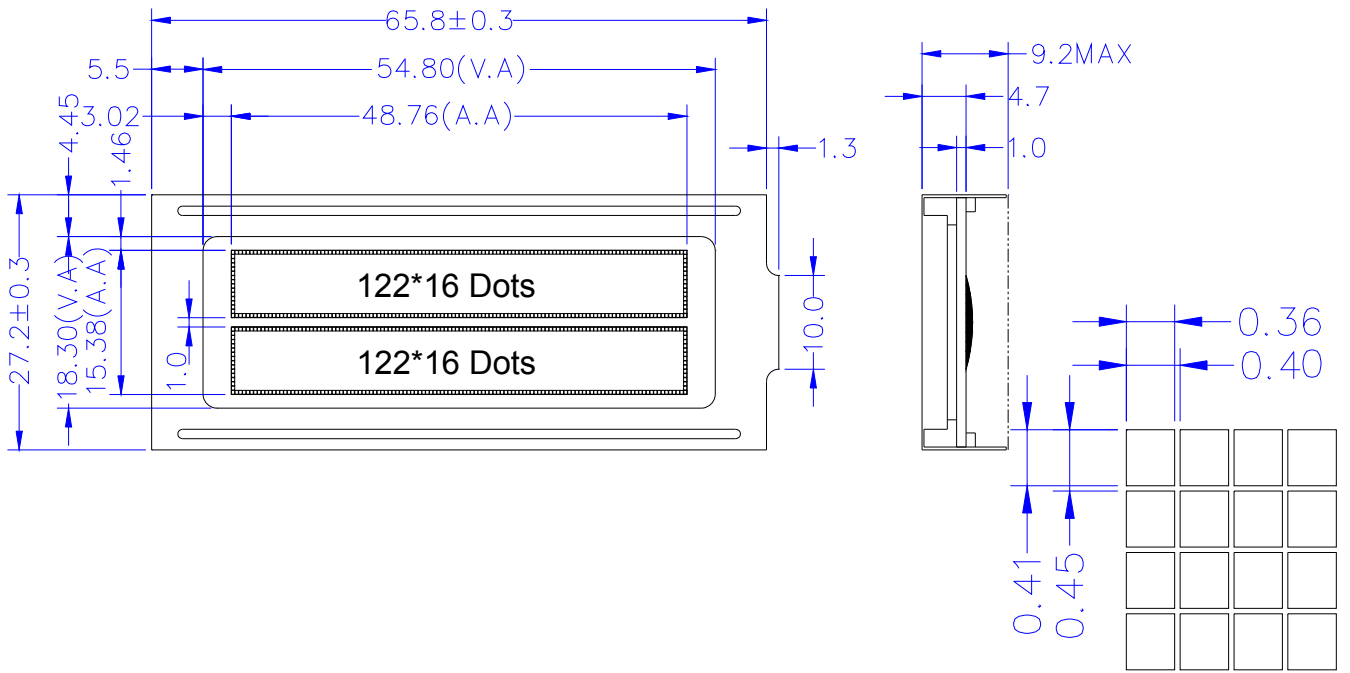


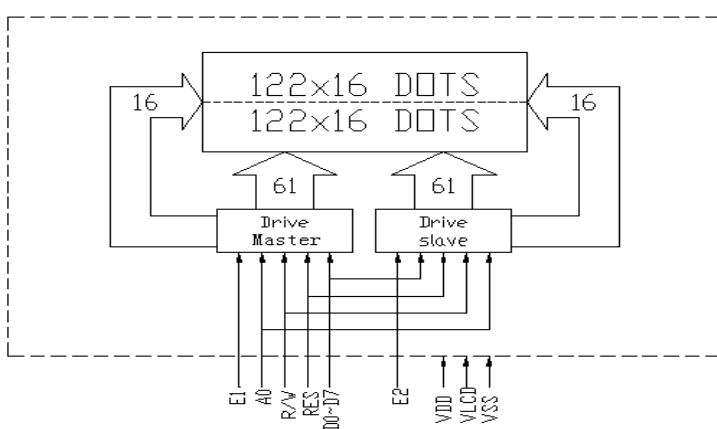
CUSTOMER'S APPROVED:

DATE:

REVISIONS			
NO.	DATE	BY	DESCRIPTION
1	08/04/19	WXR	NEW RELEASE



Block Diagram



Feature

1. BUILT IN CONTROLLER: IL1520
2. POWER SUPPLY: 5.0V
3. LCD TYPE: Y-G STN, REFLECTIVE
4. BACKLIGHT: LED SIDE BACKLIGHT
5. COLOUR OF BACKLIGHT: WHITE
6. 1/32 DUTY CYCLE, 1/6 BIAS
7. VIEWING ANGLE: 6 O'CLOCK
8. TEMP RANGE: Top: -20~60C; Tst: -30~70C
9. LOW CONSUMPTION, LOW VOLTAGE, HIGH CONTRAST

Mechanical Data

ITEM	SPECIFICATION	UNIT
OVERALL SIZE	67.1W x 27.2H x 9.2T	MM
VIEWING AREA	54.8W x 18.3H	MM
DOT NUMBER	122 x 32	DOTS
DOT SIZE	0.36W x 0.41H	MM
DOT PITCH	0.40W x 0.45H	MM

Pin Assignment

NO.	SYMBOL	DESCRIPTION
1	VDD	POWER SUPPLY FOR LOGIC (5.0V)
2	VSS	GROUND (0V)
3	VLCD	OPERATING VOLTAGE FOR LCD
4	/RST	RESET SIGNAL (LOW EFFECTIVE)
5	E1	READ/WRITE ENABLE SIGNAL (MASTER)
6	E2	READ/WRITE ENABLE SIGNAL (SLAVE)
7	R/W	READ/WRITE SELECT
8	RS	REGISTER SELECTION SIGNAL
9-16	DB0--DB7	DATA BUS
17	A	LED BACKLIGHT POWER SUPPLY (5.0V)
18	K	LED BACKLIGHT POWER SUPPLY (-)

Absolute Maximum Rating

ITEM	SYMBOL	MIN	MAX	UNIT
POWER SUPPLY VOLTAGE	VDD	0	7.0	V
POWER SUPPLY (LCD DRV.)	VDD-V0	0	12.0	V
INPUT VOLTAGE	Vi	GND	VDD	V

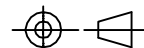
Electrical Characteristics

ITEM	SYMBOL	MIN	TYP	MAX	UNIT
VOLTAGE FOR LOGIC/VDD-VSS		4.75	5.0	5.25	V
SUPPLY CURRENT	IDD	-	-	2.0	mA
LCD OPERATING VOLTAGE	VDD-V0	10C	5.3	-	V
		25C	4.8	-	V
		40C	4.3	-	V
INPUT VOLTAGE	H	0.5VDD	-	VDD	V
	L	0	-	0.2VDD	V

DESCRIPTION: C/D Distar Technology Limited

GENERAL TOL: ±0.2 www.distarltd.com Drw WXR

DO NOT SCALE THIS DRAWING.



Unit:mm

Chk
Apv

DS-G12232G-YRSSWN-NAA