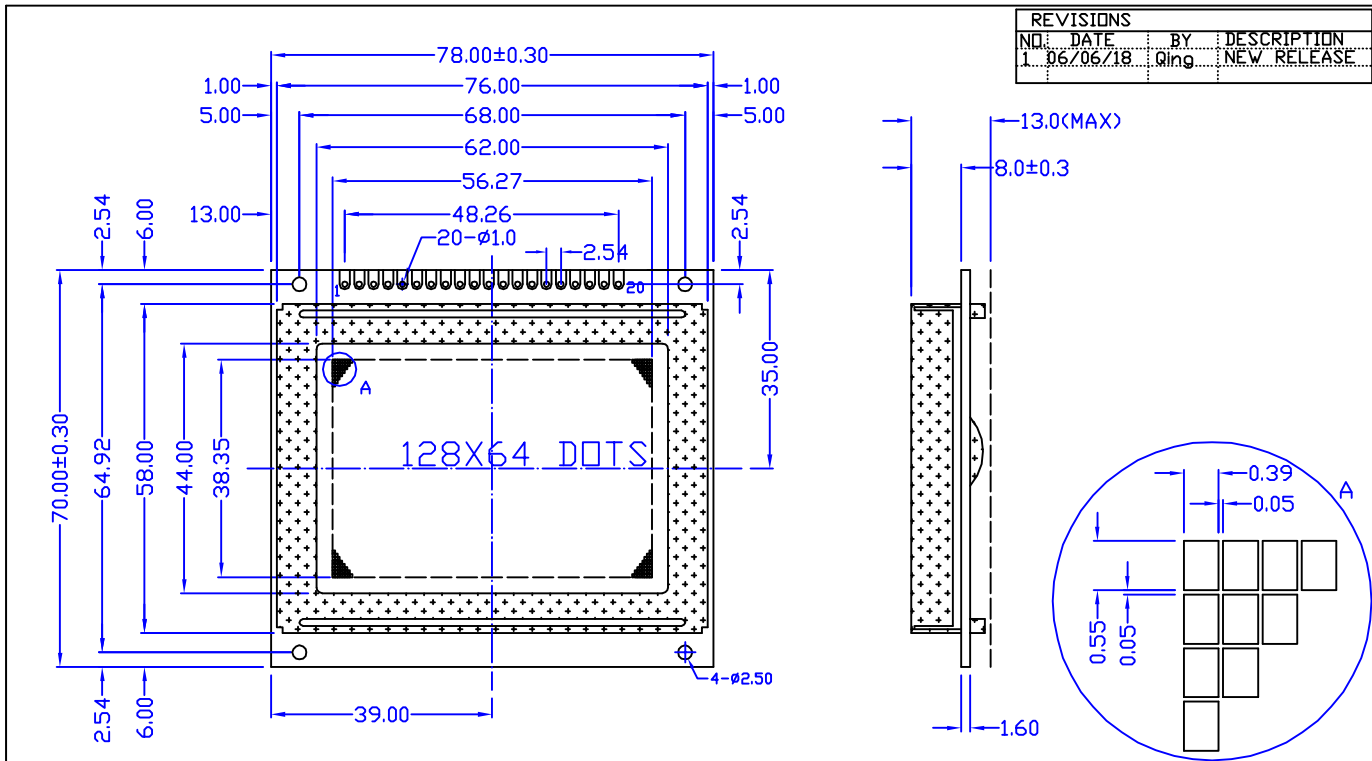


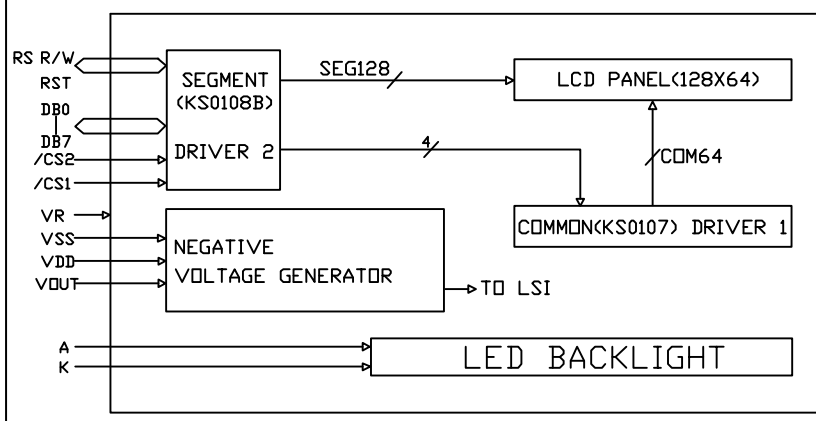
CUSTOMER'S APPROVED:

DATE:

REVISIONS			
NO.	DATE	BY	DESCRIPTION
1	06/06/18	Qing	NEW RELEASE



Block Diagram



Feature

1. BUILT IN CONTROLLER: KS0107B,KS0108B
2. POWER SUPPLY: 5.0V
3. LCD TYPE: BLUE STN, TRANSFLECTIVE
4. BACKLIGHT: LED BOTTOM BACKLIGHT
5. COLOUR OF BACKLIGHT: YELLOW/GREEN
6. 1/64 DUTY CYCLE, 1/9 BIAS
7. VIEWING ANGLE: 6 O'CLOCK
8. TEMPERATURE RANGE: EXTENDED(-20--70)
9. LOW CONSUMPTION, LOW VOLTAGE, HIGH CONTRAST

Mechanical Data

ITEM	SPECIFICATION	UNIT
OVERALL SIZE	78.0W x 70.0H x 13.0T	MM
VIEWING AREA	62.0W x 44.0H	MM
DOT NUMBER	128 x 64	DOTS
DOT SIZE	0.39W x 0.55H	MM
DOT PITCH	0.54W x 0.60H	MM

Pin Assignment

NO.	SYMBOL	DESCRIPTION
1	/CS1	CHIP SELECT OF LEFT PANEL
2	/CS2	CHIP SELECT OF RIGHT PANEL
3	VSS	GROUND
4	VDD	POWER SUPPLY FOR LOGIC AND LCD
5	VR	OPERATING VOLTAGE FOR LCD
6	D/I	DATA/INSTRUCTION SELECT
7	R/W	READ/WRITE SELECT
8	E	ENABLE SELECT
9--16	DB0--DB7	DATA BUS
17	/RST	RESET SIGNAL(LOW EFFECTIVE)
18	VOUT	NEGATIVE VOLTAGE INPUT/OUTPUT
19	A	LED BACKLIGHT POWER SUPPLY(+5.0V)
20	K	LED BACKLIGHT POWER SUPPLY(-)

Absolute Maximum Rating

ITEM	SYMBOL	MIN	MAX	UNIT
POWER SUPPLY(LOGIC)	VDD-VSS	0	6.5	V
POWER SUPPLY(LCD DRV.)	VDD-V0	0	18.0	V
INPUT VOLTAGE	VI	VI	VDD	V

Electrical Characteristics

ITEM	SYMBOL	MIN	TYP	MAX	UNIT	
VOLTAGE FOR LOGIC	VDD-VSS	4.75	5.0	5.25	V	
SUPPLY CURRENT	IDD	-	12.0	-	mA	
LCD OPERATING VOLTAGE	VDD-V0	10C	-	9.3	-	V
		25C	-	9.0	-	V
		40C	-	8.7	-	V
INPUT VOLTAGE	H VIH	0.7VDD	-	VDD	V	
	L VIL	0	-	0.3VDD	V	

DESCRIPTION: C/D

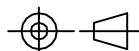
Distar Technology Limited

GENERAL TOL: ±0.2

www.distarltd.com

Drw WXR

DO NOT SCALE THIS DRAWING.



Unit:mm

Chk

Apv

DS-G12864B-YFSDYE-YAA