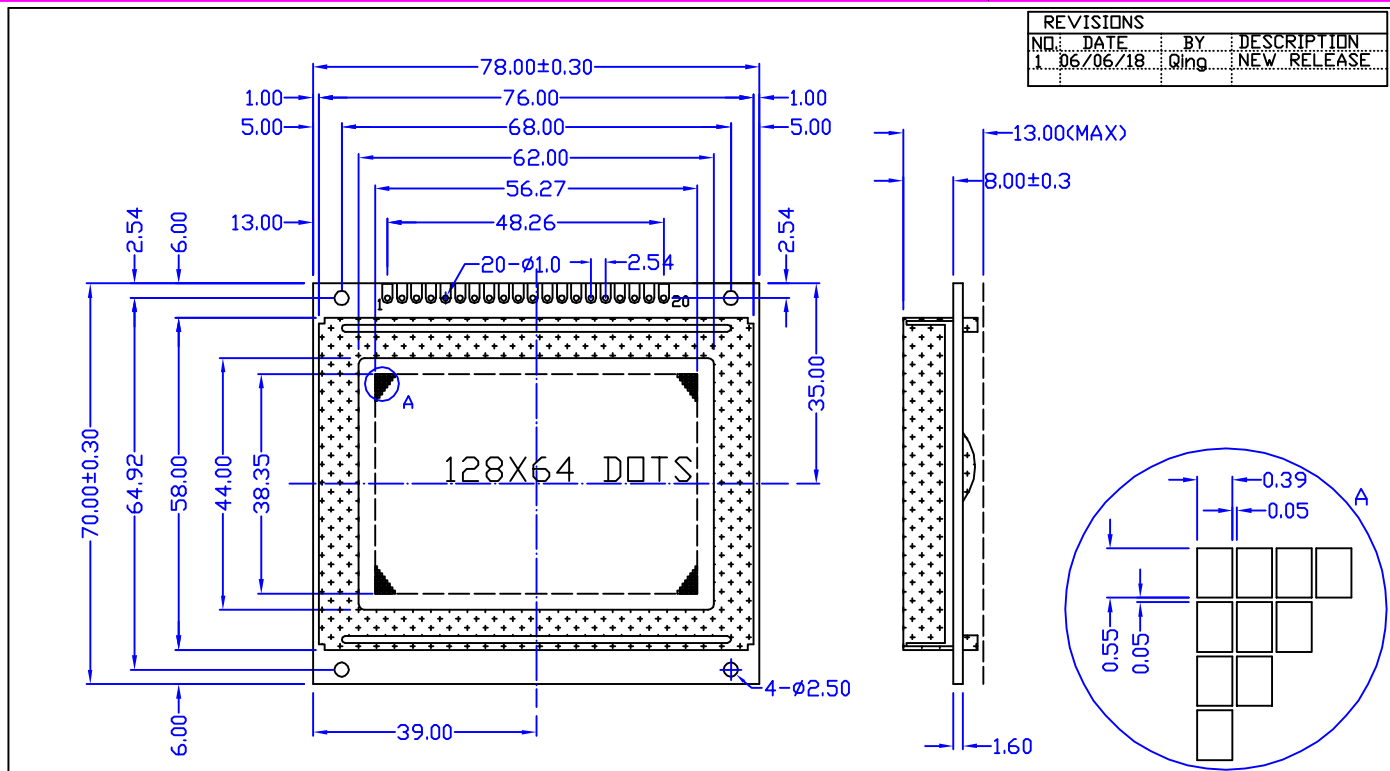


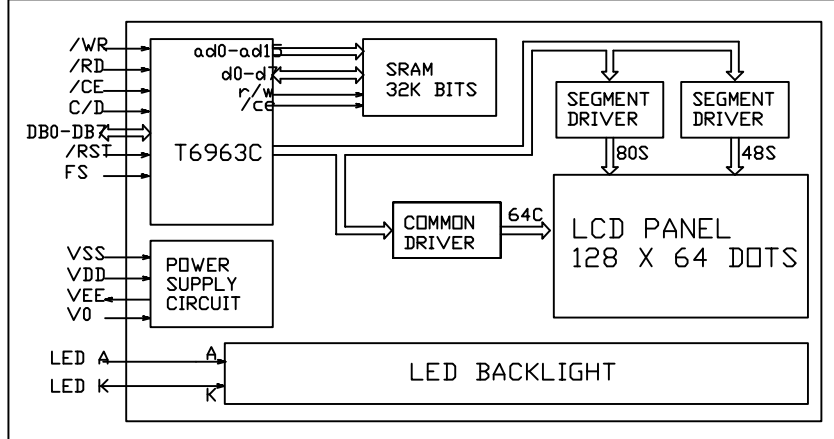
CUSTOMER'S APPROVED:

DATE:

REVISIONS			
NO.	DATE	BY	DESCRIPTION
1.	06/06/18	Qing	NEW RELEASE



Block Diagram



Feature

1. BUILT IN CONTROLLER: T6963C
2. POWER SUPPLY: 5.0V
3. LCD TYPE: BLUE STN, TRANSMISSIVE
4. BACKLIGHT: LED SIDE BACKLIGHT
5. COLOUR OF BACKLIGHT: WHITE
6. 1/64 DUTY CYCLE, 1/9 BIAS
7. VIEWING ANGLE: 6 O'CLOCK
8. TEMPERATURE RANGE: EXTENDED (-20--70)
9. LOW CONSUMPTION, LOW VOLTAGE, HIGH CONTRAST

Mechanical Data

ITEM	SPECIFICATION	UNIT
OVERALL SIZE	78.0W x 70.0H x 13.0T	MM
VIEWING AREA	62.0W x 44.0H	MM
DOT NUMBER	128 x 64	DOTS
DOT SIZE	0.39W x 0.55H	MM
DOT PITCH	0.54W x 0.60H	MM

Pin Assignment

NO.	SYMBOL	DESCRIPTION
1	VOUT	ON BOARD DC/DC OUTPUT(-10V)
2	VSS	GROUND
3	VDD	POWER SUPPLY
4	VR	OPERATING VOLTAGE FOR LCD
5	/WR	WRITE SIGNAL
6	/RD	READ SIGNAL
7	/CE	CHIP ENABLE SIGNAL
8	C/D	COMMAND/DATA SELECTION
9	/RST	RESET SIGNAL(LOW EFFECTIVE)
10--17	DB0--DB7	DATA BUS
18	FS	FONT SELECTION(L:8X8, H:6X8)
19	A	LED BACKLIGHT POWER SUPPLY(+)
20	K	LED BACKLIGHT POWER SUPPLY(-)

Absolute Maximum Rating

ITEM	SYMBOL	MIN	MAX	UNIT
POWER SUPPLY(LOGIC)	VDD-VSS	0	6.5	V
POWER SUPPLY(LCD DRV.)	VDD-V0	0	18.0	V
INPUT VOLTAGE	Vi	Vi	VDD	V

Electrical Characteristics

ITEM	SYMBOL	MIN	TYP	MAX	UNIT
VOLTAGE FOR LOGIC	VDD-VSS	4.75	5.0	5.25	V
SUPPLY CURRENT	IDD	-	12.0	-	mA
LCD OPERATING VOLTAGE	VDD-V0	0C	9.3	-	V
		25C	9.0	-	V
		40C	8.7	-	V
INPUT VOLTAGE	H	0.7VDD	-	VDD	V
	L	0	-	0.3VDD	V

DESCRIPTION: C/D	Distar Technology Limited	
GENERAL TOL: ±0.2	www.distarltd.com	Drw wxr
DO NOT SCALE THIS DRAWING.	Unit:mm	Chk Apv

DS-G12864E-BTSSWE-YAA