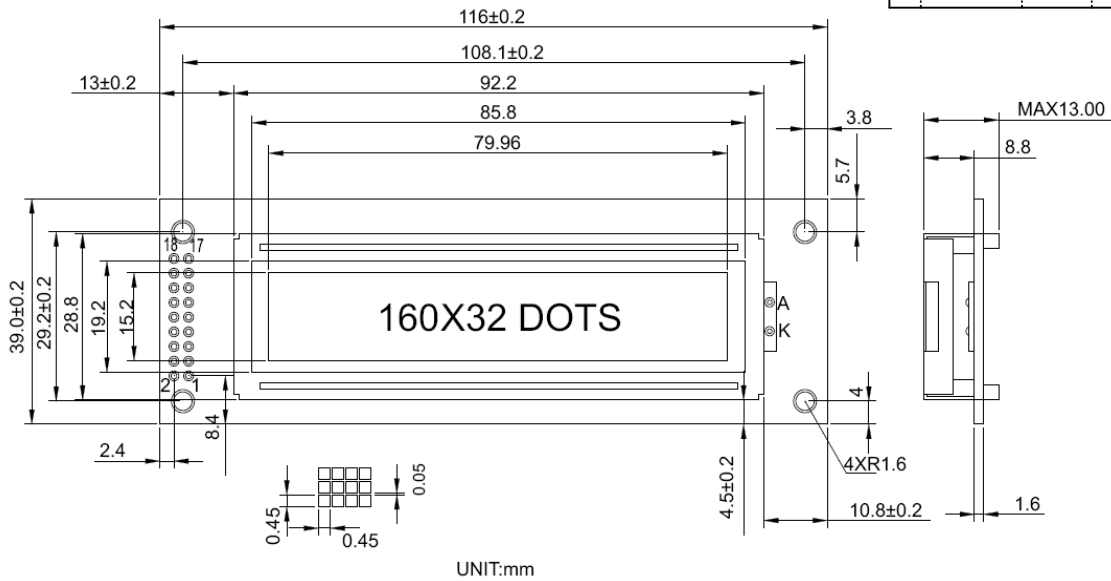


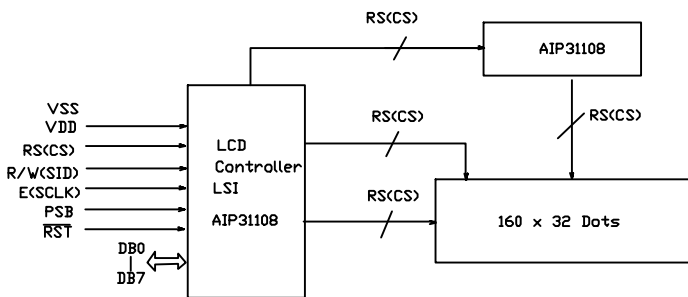
CUSTOMER'S APPROVED:

DATE:

REVISIONS			
NO.	DATE	BY	DESCRIPTION
1	08/04/28	WXR	NEW RELEASE



### Block Diagram



### Feature

- BUILT IN CONTROLLER: AIP31108
- POWER SUPPLY: 5.0V
- LCD TYPE: Y-G STN, TRANSFLECTIVE
- BACKLIGHT: LED SIDE BACKLIGHT
- COLOUR OF BACKLIGHT: WHITE
- 1/32 DUTY CYCLE, 1/6 BIAS
- VIEWING ANGLE: 6 O'CLOCK
- TEMP RANGE: Top: -20--70C; Tst: -30--80C
- LOW CONSUMPTION, LOW VOLTAGE, HIGH CONTRAST

### Mechanical Data

ITEM	SPECIFICATION	UNIT
OVERALL SIZE	116.0W x 39.0H x 13.0T	MM
VIEWING AREA	85.8W x 19.2H	MM
DOT NUMBER	160 x 32	DOTS
DOT SIZE	0.45W x 0.45H	MM
DOT PITCH	0.50W x 0.50H	MM

### Pin Assignment

NO.	SYMBOL	DESCRIPTION
1	VSS	GROUND
2	VDD	POWER SUPPLY FOR LOGIC(5.0V)
3	V0	POWER SUPPLY FOR LCD DRIVER
4	RS(CS)	SELECT REGISTER(CHIP SELECTION)
5	R/W(SID)	READ/WRITE SELECT
6	E(SCLK)	READ/WRITE ENABLE
7-14	DB0--DB7	DATA BUS
15	/RESET	RESET SIGNAL, ACTIVE LOW
16	NC(PSB)	NO CONNECTION
17	A	LED BACKLIGHT POWER SUPPLY(+4.1V)
18	K	LED BACKLIGHT POWER SUPPLY(0V)

### Absolute Maximum Rating

ITEM	SYMBOL	MIN	MAX	UNIT
POWER SUPPLY(LOGIC)	VDD	2.7	5.5	V
POWER SUPPLY(LCD DRV.)	VLCD	3.0	7.0	V
INPUT VOLTAGE	Vi	-0.3	VDD+0.3	V

### Electrical Characteristics

ITEM	SYMBOL	MIN	TYP	MAX	UNIT
VOLTAGE FOR LOGIC	VDD-VSS	4.8	5.0	5.5	V
SUPPLY CURRENT	IDD	-	3.0	-	mA
LCD OPERATING VOLTAGE	0C	-	5.3	-	V
	25C	-	4.8	-	V
	40C	-	4.3	-	V
INPUT VOLTAGE	H VIH	0.7VDD	-	VDD	V
	L VIL	0	-	0.3VDD	V

DESCRIPTION: C/D	Distar Technology Limited	
GENERAL TOL: ±0.2	<a href="http://www.distarltd.com">www.distarltd.com</a>	Drw wxy
DO NOT SCALE THIS DRAWING.		Unit:mm Chk Apv

DS-G16032A-YFSSWE-NAB