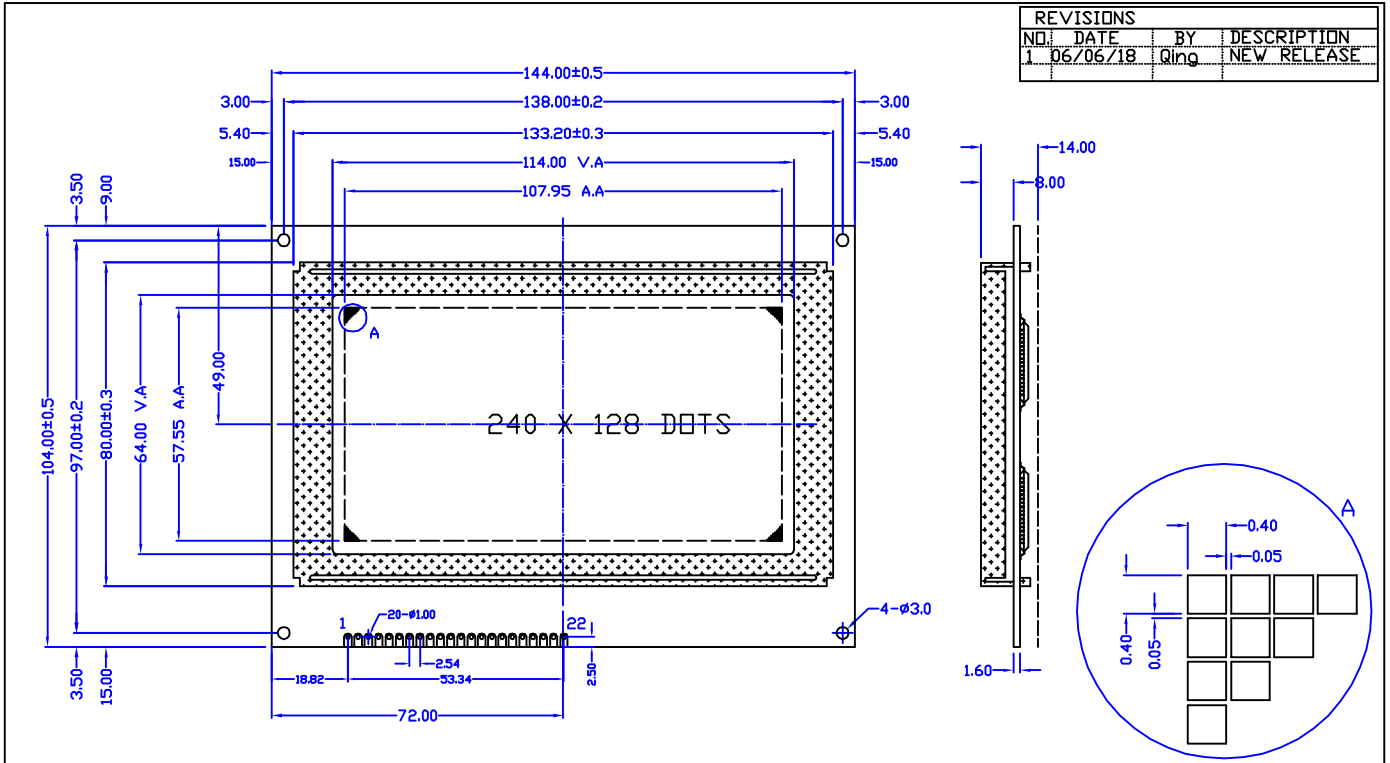


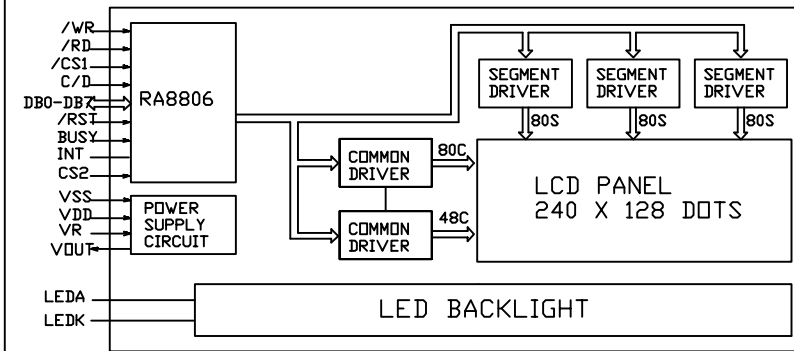
CUSTOMER'S APPROVED:

DATE:

REVISIONS			
NO.	DATE	BY	DESCRIPTION
1	06/06/18	Qing	NEW RELEASE



Block Diagram



Feature

1. BUILT IN CONTROLLER: RA8806
2. POWER SUPPLY: 5.0V
3. LCD TYPE: BLUE STN, TRANSMISSIVE
4. BACKLIGHT: LED SIDE BACKLIGHT
5. COLOUR OF BACKLIGHT: WHITE
6. 1/128 DUTY CYCLE, 1/12 BIAS
7. VIEWING ANGLE: 6 O'CLOCK
8. TEMPERATURE RANGE: EXTENDED (-20--70)
9. LOW CONSUMPTION, LOW VOLTAGE, HIGH CONTRAST

Mechanical Data

ITEM	SPECIFICATION	UNIT
OVERALL SIZE	144.0W x 104.0H x 14.0T	MM
VIEWING AREA	133.2W x 64.0H	MM
DOT NUMBER	240 x 128	DOTS
DOT SIZE	0.40W x 0.40H	MM
DOT PITCH	0.45W x 0.45H	MM

Pin Assignment

NO.	SYMBOL	DESCRIPTION
1	VSS	GROUND
2	VDD	POWER SUPPLY FOR LOGIC AND LCD
3	VR	OPERATING VOLTAGE FOR LCD
4	RS	COMMAND/DATA SELECTION
5	/WR	DATA WRITE
6	/RD	DATA READ
7	/CS1	CHIP ENABLE FOR RA8803
8	CS2	CHIP ENABLE FOR RA8803
9	BUSY	RA8806 BUSY SIGNAL
10	INT	PROGRAMMABLE INTERRUPT FOR RA8803
11	/RST	RESET SIGNAL (LOW EFFECTIVE)
12--19	DB0--DB7	DATA BUS
20	VOUT	NEGATIVE VOLTAGE INPUT/OUTPUT
21	A	LED BACKLIGHT POWER SUPPLY(+)
22	K	LED BACKLIGHT POWER SUPPLY(-)

Absolute Maximum Rating

ITEM	SYMBOL	MIN	MAX	UNIT
POWER SUPPLY(LOGIC)	VDD-VSS	0	6.5	V
POWER SUPPLY(LCD DRV.)	VDD-V0	0	30.0	V
INPUT VOLTAGE	VI	VI	VDD	V

Electrical Characteristics

ITEM	SYMBOL	MIN	TYP	MAX	UNIT	
VOLTAGE FOR LOGIC	VDD-VSS	4.75	5.0	5.25	V	
SUPPLY CURRENT	IDD	-	12.0	-	mA	
LCD OPERATING VOLTAGE	VDD-V0	10C	-	19.0	-	V
		25C	-	18.5	-	V
		40C	-	18.0	-	V
INPUT VOLTAGE	H VIH	0.7VDD	-	VDD	V	
	L VIL	0	-	0.3VDD	V	

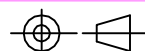
DESCRIPTION: C/D Distar Technology Limited

GENERAL TOL: ±0.2

www.distarltd.com

Drw WXR

DO NOT SCALE THIS DRAWING.



Unit:mm

Chk

Apv

DS-G240128F-BTSSWE-YAA