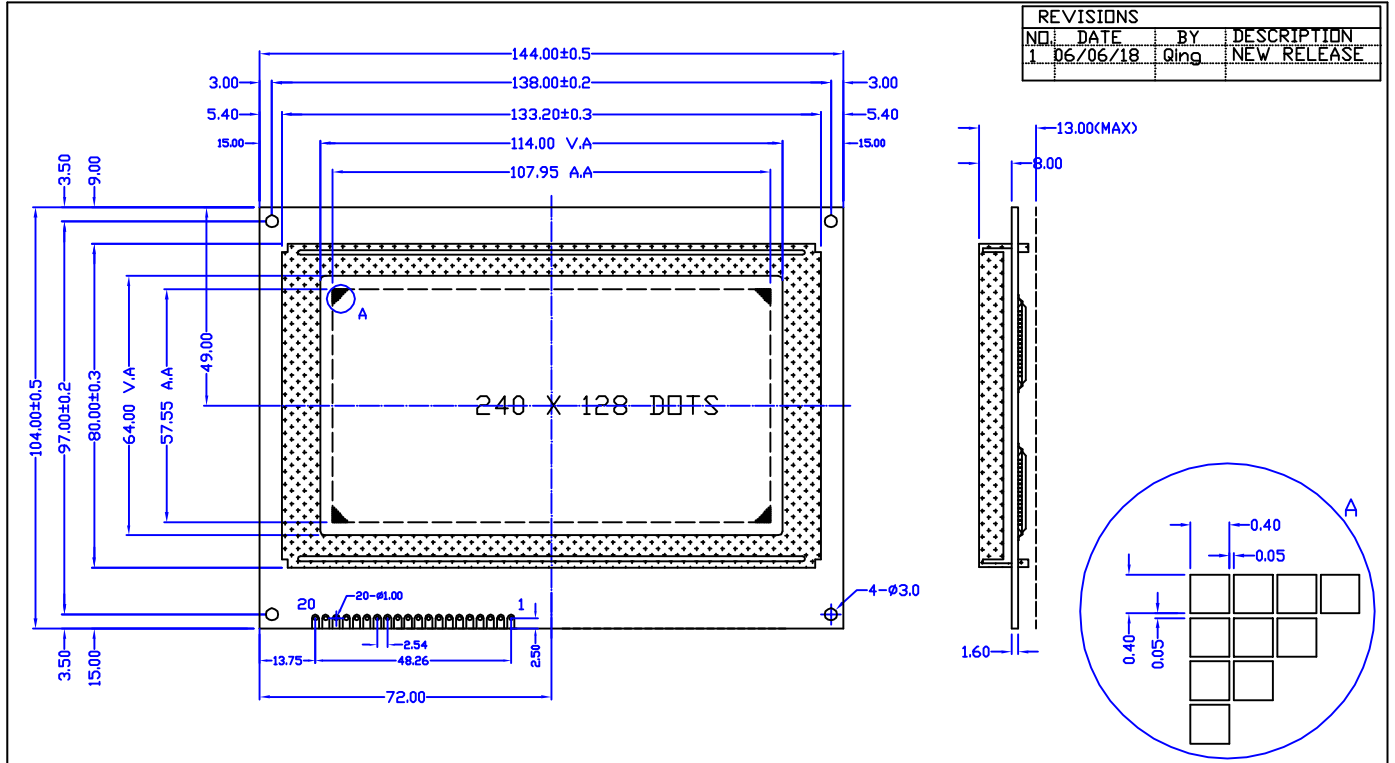


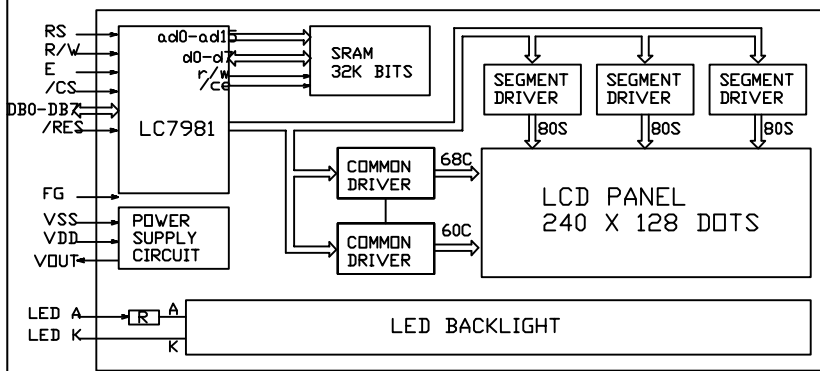
CUSTOMER'S APPROVED:

DATE:

REVISIONS			
NO.	DATE	BY	DESCRIPTION
1	06/06/18	Qing	NEW RELEASE



### Block Diagram



### Feature

1. BUILT IN CONTROLLER: LC7981 OR EQUIVALENT
2. POWER SUPPLY: 5.0V
3. LCD TYPE: BLUE STN, TRANSMISSIVE
4. BACKLIGHT: LED SIDE BACKLIGHT
5. COLOUR OF BACKLIGHT: WHITE
6. 1/128 DUTY CYCLE, 1/12 BIAS
7. VIEWING ANGLE: 6 O'CLOCK
8. TEMPERATURE RANGE: EXTENDED (-20--70)
9. LOW CONSUMPTION, LOW VOLTAGE, HIGH CONTRAST

### Mechanical Data

ITEM	SPECIFICATION	UNIT
OVERALL SIZE	144.0W x 104.0H x 14.0T	MM
VIEWING AREA	133.2W x 64.0H	MM
DOT NUMBER	240 x 128	DOTS
DOT SIZE	0.40W x 0.40H	MM
DOT PITCH	0.45W x 0.45H	MM

### Pin Assignment

NO.	SYMBOL	DESCRIPTION
1	VSS	GROUND
2	VDD	POWER SUPPLY FOR LOGIC AND LCD
3	V0	OPERATING VOLTAGE FOR LCD
4	RS	REGISTER SELECT
5	R/W	READ/WRITE
6	E	ENABLE SIGNAL
7--14	DB0--DB7	DATA BUS
15	/CS	CHIP SELECT (LOW EFFECTIVE)
16	/RST	RESET LC7981 (LOW EFFECTIVE)
17	VOUT	NEGATIVE VOLTAGE INPUT/OUTPUT
18	NC	NO CONNECTION
19	A	LED BACKLIGHT POWER SUPPLY (+)(+5V)
20	K	LED BACKLIGHT POWER SUPPLY (-)(X0V)

### Absolute Maximum Rating

ITEM	SYMBOL	MIN	MAX	UNIT
POWER SUPPLY (LOGIC)	VDD-VSS	0	6.5	V
POWER SUPPLY (LCD DRV.)	VDD-V0	0	30.0	V
INPUT VOLTAGE	VI	VI	VDD	V

### Electrical Characteristics

ITEM	SYMBOL	MIN	TYP	MAX	UNIT	
VOLTAGE FOR LOGIC	VDD-VSS	4.75	5.0	5.25	V	
SUPPLY CURRENT	IDD	-	12.0	-	mA	
LCD OPERATING VOLTAGE	VDD-V0	0C	-	19.0	-	V
		25C	-	18.5	-	V
		40C	-	18.0	-	V
INPUT VOLTAGE	H	VIH	0.7VDD	-	VDD	V
	L	VIL	0	-	0.3VDD	V

DESCRIPTION: C/D	Distar Technology Limited	
GENERAL TOL: ±0.2	<a href="http://www.distarltd.com">www.distarltd.com</a>	Drw WXR
DO NOT SCALE THIS DRAWING.		Chk Apv

DS-G240128H-BTSSWE-YAA