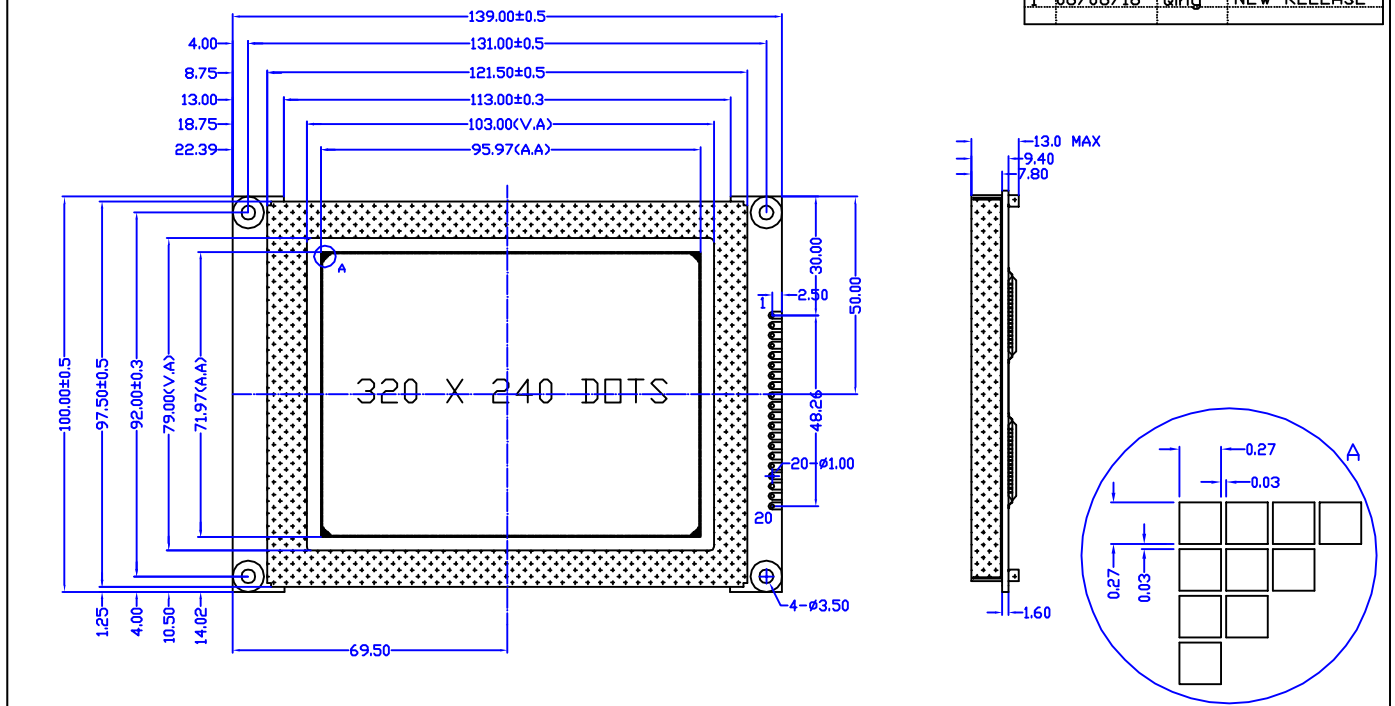


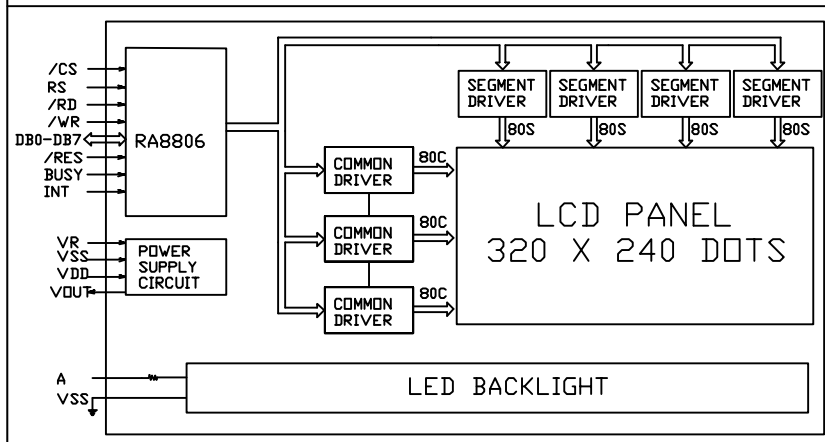
CUSTOMER'S APPROVED:

DATE:

REVISIONS			
NO.	DATE	BY	DESCRIPTION
1	06/06/18	Qing	NEW RELEASE



Block Diagram



Feature

- BUILT IN CONTROLLER: RA8806
- POWER SUPPLY: 5.0V
- LCD TYPE: BLUE STN, TRANSMISSIVE
- BACKLIGHT: LED SIDE BACKLIGHT
- COLOUR OF BACKLIGHT: WHITE
- 1/240 DUTY CYCLE, 1/16 BIAS
- VIEWING ANGLE: 6 O'CLOCK
- TEMPERATURE RANGE: EXTENDED (-20--70)
- LOW CONSUMPTION, LOW VOLTAGE, HIGH CONTRAST

Mechanical Data

ITEM	SPECIFICATION	UNIT
OVERALL SIZE	139.0W x 100.0H x 13.0T	MM
VIEWING AREA	103.0W x 79.0H	MM
DOT NUMBER	320 x 240	DOTS
DOT SIZE	0.27W x 0.27H	MM
DOT PITCH	0.30W x 0.30H	MM

Pin Assignment

NO.	SYMBOL	DESCRIPTION
1	VSS	GROUND
2	VDD	POWER SUPPLY FOR LOGIC AND LCD
3	VR	OPERATING VOLTAGE FOR LCD
4	RS	WRITE SIGNAL
5	/WR	WRITE SIGNAL
6	/RD	READ SIGNAL
7--14	DB0--DB7	DATA BUS
15	CS	CHIP SELECTION (LOW EFFECTIVE)
16	/RST	RESET SIGNAL (LOW EFFECTIVE)
17	VOUT	NEGATIVE VOLTAGE INPUT/OUTPUT
18	BUSY	RA8806 BUSY SIGNAL
19	INT	RA8806 INTERRUPT SIGNAL
20	LEDA	LED BACKLIGHT POWER SUPPLY(+)

Absolute Maximum Rating

ITEM	SYMBOL	MIN	MAX	UNIT
POWER SUPPLY (LOGIC)	VDD-VSS	0	6.5	V
POWER SUPPLY (LCD DRV.)	VDD-V0	0	30.0	V
INPUT VOLTAGE	Vi	Vi	VDD	V

Electrical Characteristics

ITEM	SYMBOL	MIN	TYP	MAX	UNIT
VOLTAGE FOR LOGIC	VDD-VSS	4.75	5.0	5.25	V
SUPPLY CURRENT	IDD	-	12.0	-	mA
LCD OPERATING VOLTAGE	VDD-VR	0C	-	26.2	V
		25C	-	25.4	V
		40C	-	24.4	V
INPUT VOLTAGE	H	ViH	0.7VDD	-	VDD
	L	ViL	0	-	0.3VDD

DESCRIPTION: C/D	Distar Technology Limited	
GENERAL TOL: ±0.2	www.distarltd.com	Drw WXR
DO NOT SCALE THIS DRAWING.		Chk Apv

DS-G320240C-BTSSWE-YAA