

**ABSOLUTE MAXIMUM RATINGS**

Item	Symbol	Min.	Max.	Unit
Supply Voltage(Logic)	Vdd - Vss	-0.3	4.0	V
Supply Voltage(LCD)	Vlcd	-0.3	13.2	V
Input Voltage	Vi	-0.4	Vdd+0.3	V
Operating Temp.	Topr	-20	70	°C
Storage Temp.	Tstg	-30	80	°C

**MECHANICAL DATA**

Item	Max.	Unit
Module Size (W X H X T)	65.3 X 40.8 X 5.9	mm
Viewing Area(W X H)	53.8 X 28.8	mm
Dot Pitch(W X H)	0.39 X 0.39	mm
Dot Size(W X H)	0.35 X 0.35	mm
View Angle	6 O'Clock	

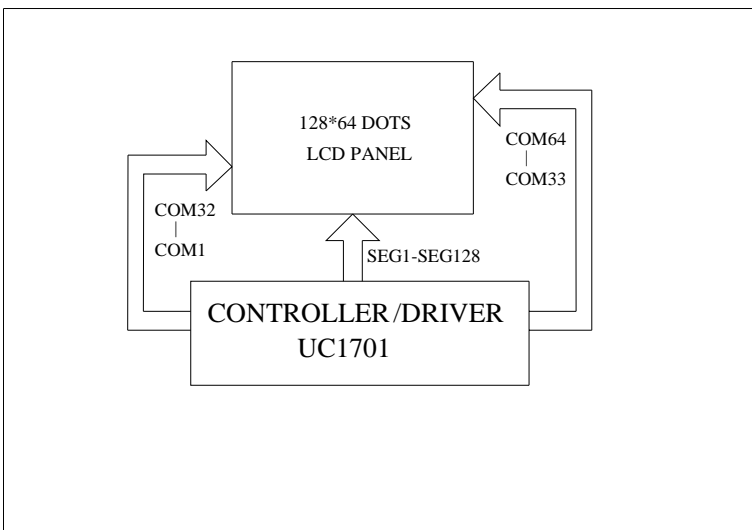
**ELECTRICAL CHARACTERISTICS (Vdd=3.0V±0.3V)**

Item	Symbol	Test Condition	Min.	Typ.	Max.	Unit
Input High Voltage	Vih	--	0.8Vdd	--	Vdd	V
Input Low Voltage	Vil	--	--	--	0.2Vdd	V
Output High Voltage	Voh	--	0.8Vdd	--	--	V
Output Low Voltage	Vol	--	--	--	0.2Vdd	V
Current consumption	Idd	Vdd=3.0V	--	--	50	μA
LCD Driving Voltage	V0	Ta=25°C	--	9.0	--	V

**PIN CONNECTIONS**

Pin	Symbol	Function
1	/CS	Chip select pin
2	/RST	Reset signal input
3	AO	Select Control data or Display data for read/write operation.
4	NC	
5	SCL	Serial clock input.
6	SDA	Serial data input.
7	VDD	Power Supply for Logic(+3.0V)
8	GND	Ground
9	VB0+	DC/DC voltage converter.
10	VB0-	
11	VB1-	
12	VB1+	
13	Vlcd	Main LCD Power Supply
14	NC	

**BLOCK DIAGRAM**



**LCD Type**

LCD Color	Backlight
STN/Yellow-Green/Transmissive	LED/White/3.1V,15mA