

ABSOLUTE MAXIMUM RATINGS

Item	Symbol	Min.	Max.	Unit
Supply Voltage(Logic)	VDD	2.5	3.1	V
Supply Voltage(LCD)	V0-XV0	-0.3	16.0	V
Input Voltage	Vi	-0.3	VDD+0.3	V
Operating Temp.	Topr	-20	70	°C
Storage Temp.	Tstg	-30	80	°C

MECHANICAL DATA

Item	Max.	Unit
Module Size (W X H X T)	42.0 X 31.6 X 3.0	mm
Viewing Area(W X H)	38.0 X 24.3	mm
Dot Pitch(W X H)	0.277X 0.35	mm
Dot Size(W X H)	0.257X 0.33	mm
View Angle	12 O'Clock	

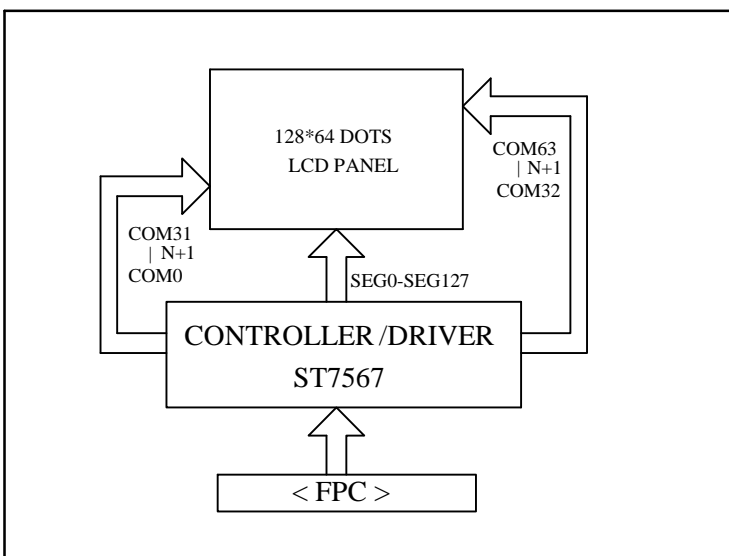
ELECTRICAL CHARACTERISTICS (Vdd=3.0V±0.3V)

Item	Symbol	Test Condition	Min.	Typ.	Max.	Unit
Input High Voltage	Vih	--	0.8VDD	--	VDD	V
Input Low Voltage	Vil	--	VSS	--	0.2VDD	V
Output High Voltage	Voh	--	0.8VDD	--	VDD	V
Output Low Voltage	Vol	--	VSS	--	0.2VDD	V
Current consumption	Idd	Vdd=3.0V	--	135	205	μ A
LCD Driving Voltage	V0	Ta=25 °C	--	9.0	--	V

PIN CONNECTIONS

Pin	Symbol	Function
1	LED_A	
2	GND	Ground
3~6	NC	
7	VG	LCD driving voltage for segment
8	XV0	LCD driving voltage for common
9	VO	LCD driving voltage for common
10~13	NC	
14	GND	Ground
15	VDD	Power Supply Voltage(+3.0V)
16	SDA	Serial data input.
17	SCK	Serial clock input.
18	CD	"L": Control data "H": Display data
19	RST	Reset signal input
20	CS	Chip select pin

BLOCK DIAGRAM



Display Type

LCD	Backlight
FSTN/POSITIVE	WHITE
TRANSFLECTIVE	3.0V 30mA