

**ABSOLUTE MAXIMUM RATINGS**

Item	Symbol	Min.	Max.	Unit
Supply Voltage(Logic)	Vdd - Vss	-0.3	4.0	V
Supply Voltage(LCD)	Vlcd	-0.3	18.0	V
Input Voltage	Vi	-0.4	Vdd + 0.5	V
Operating Temp.	Topr	-25	75	°C
Storage Temp.	Tstg	-30	80	°C

**MECHANICAL DATA**

Item	Max.	Unit
Module Size (W X H X T)	83.8 X 76.5 X 9.0	mm
Viewing Area(W X H)	60.0 X 60.0	mm
Dot Pitch(W X H)	0.34 X 0.34	mm
Dot Size(W X H)	0.32 X 0.32	mm
View Angle	6 O'Clock	

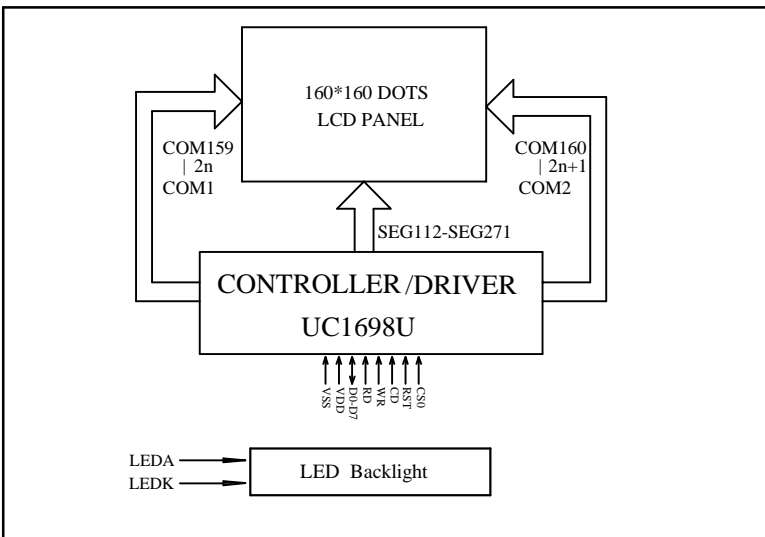
**ELECTRICAL CHARACTERISTICS (Vdd=3.0V±0.3V)**

Item	Symbol	Test Condition	Min.	Typ.	Max.	Unit
Input High Voltage	Vih	--	0.8Vdd	--	--	V
Input Low Voltage	Vil	--	--	--	0.2Vdd	V
Output High Voltage	Voh	--	0.8Vdd	--	--	V
Output Low Voltage	Vol	--	--	--	0.2Vdd	V
Current consumption	Idd	Vdd=3.0V	--	725	1087	µ A
LCD Driving Voltage	V0	Ta=25 °C	--	16.5	--	V

**PIN CONNECTIONS**

Pin	Symbol	Function
1	SDA	Serial data input
2	VSS	Ground
3	SCK	Serial Clock input
4	RST	Reset signal input
5	A0	"L": Control data; "H": Display data
6	XCS	Chip select pin
7	VDD	Power Supply for Logic(+3.3V)
8	LEDA	Power Supply for Backlight(+3.3V)
9	LEDK	Backlight Ground

**BLOCK DIAGRAM**



**LCD Type**

LCD Color	Backlight
FSTN/Positive/Transflective	LED/WHITE