

**ABSOLUTE MAXIMUM RATINGS**

Item	Symbol	Min.	Max.	Unit
Supply Voltage(Logic)	V <sub>dd</sub> - V <sub>ss</sub>	-0.3	3.6	V
Supply Voltage(LCD)	V <sub>lcd</sub>	-0.3	18.0	V
Input Voltage	V <sub>i</sub>	-0.4	V <sub>dd</sub> + 0.5	V
Operating Temp.	T <sub>opr</sub>	-25	75	°C
Storage Temp.	T <sub>stg</sub>	-30	80	°C

**MECHANICAL DATA**

Item	Max.	Unit
Module Size (W X H X T)	111.1 X 86.1 X 9.8	mm
Viewing Area(W X H)	96.0 X 63.0	mm
Dot Pitch(W X H)	0.375 X 0.375	mm
Dot Size(W X H)	0.345 X 0.345	mm
View Angle	6 O'Clock	

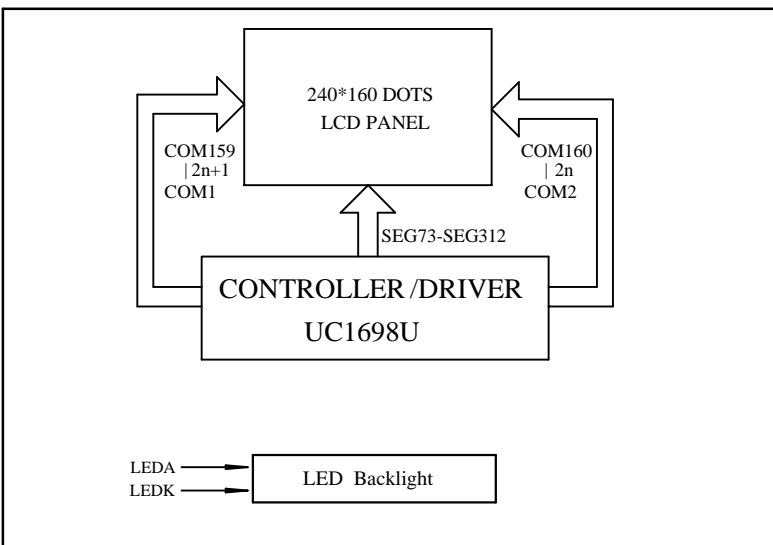
**ELECTRICAL CHARACTERISTICS (V<sub>dd</sub>=3.0V±0.3V)**

Item	Symbol	Test Condition	Min.	Typ.	Max.	Unit
Input High Voltage	V <sub>ih</sub>	--	0.8V <sub>dd</sub>	--	--	V
Input Low Voltage	V <sub>il</sub>	--	--	--	0.2V <sub>dd</sub>	V
Output High Voltage	V <sub>oh</sub>	--	0.8V <sub>dd</sub>	--	--	V
Output Low Voltage	V <sub>ol</sub>	--	--	--	0.2V <sub>dd</sub>	V
Current consumption	I <sub>dd</sub>	V <sub>dd</sub> =3.0V	--	725	1087	μA
LCD Driving Voltage	V <sub>0</sub>	T <sub>a</sub> =25 °C	--	16.5	--	V

**PIN CONNECTIONS**

Pin	Symbol	Function
1	VDD	Power Supply for Logic(+3.3V)
2	VSS	Ground
3	/CS	Chip select pin
4	A0	"L": Control data; "H": Display data
5	SCK	Serial Clock input
6	SDA	Serial data input
7	/RST	Reset signal input
8	BLA	Power Supply for Backlight(+3.3V)
9	BLK(VSS)	Backlight Ground
10	NC	

**BLOCK DIAGRAM**



**LCD Type**

LCD Color	Blacklight
FSTN/Positive/Transflective	LED/WHITE/3.3V/90mA